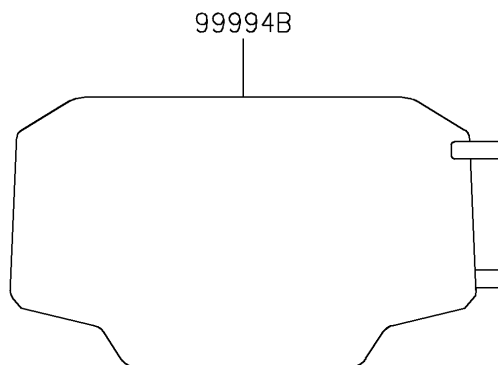
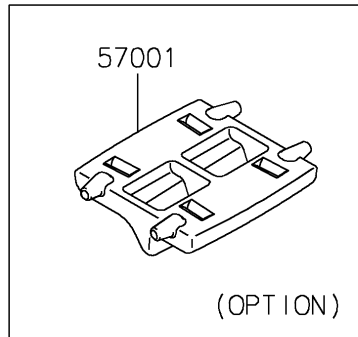
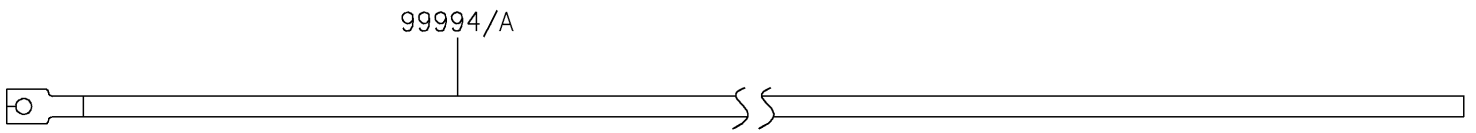


2024 NINJA® 500 SE 40th ANNIVERSARY EDITION ABS PARTS DIAGRAM

F2910B



2024 NINJA® 500 SE 40th ANNIVERSARY EDITION ABS PARTS LIST

Accessory(Decals)

ITEM NAME	PART NUMBER	QUANTITY
RIM STRIPE APPLICATOR (Ref # 57001)	57001-1752	AR
WHEEL RIM TAPE, GREEN (Ref # 99994)	99994-0932	1
WHEEL RIM TAPE, SILVER (Ref # 99994A)	99994-0933	1
SCRATCH RESISTANT FILM (Ref # 99994B)	99994-1472	1