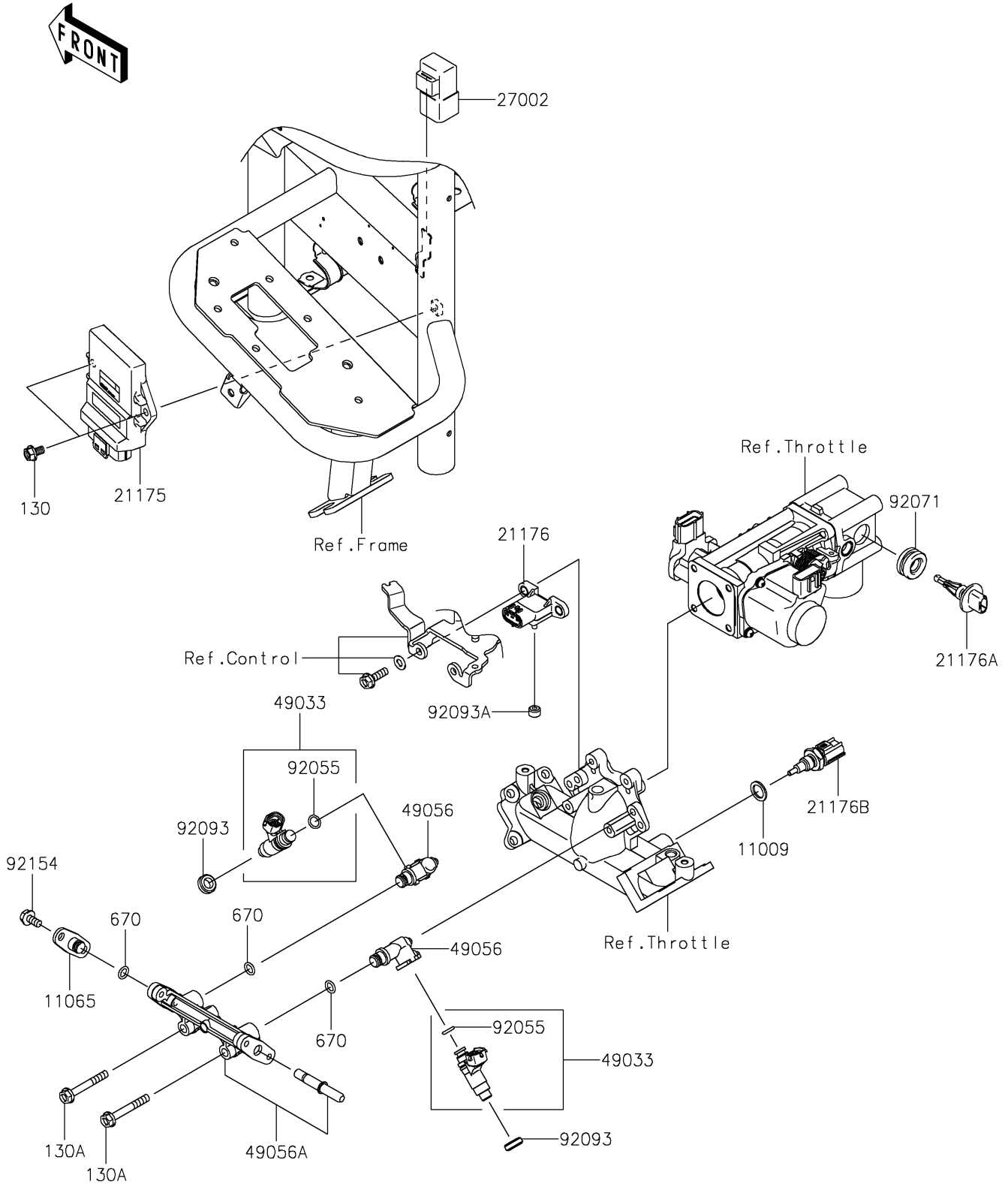


2025 MULE 4000 TRANS™ PARTS DIAGRAM

Fuel Injection

E1530



2025 MULE 4000 TRANS™ PARTS LIST

Fuel Injection

| ITEM NAME | PART NUMBER | QUANTITY |
|--|-------------|----------|
| GASKET,12.5X18X1.5 (Ref # 11009) | 11009-1376 | 1 |
| CAP (Ref # 11065) | 11065-2129 | 1 |
| CONTROL UNIT-ELECTRONIC,F.I. (Ref # 21175) | 21175-1781 | 1 |
| SENSOR,PRESSURE (Ref # 21176) | 21176-1095 | 1 |
| SENSOR,AIR TEMP (Ref # 21176A) | 21176-2106 | 1 |
| SENSOR (Ref # 21176B) | 21176-2111 | 1 |
| RELAY-ASSY (Ref # 27002) | 27002-1088 | 1 |
| NOZZLE-INJECTION (Ref # 49033) | 49033-2060 | 2 |
| PIPE-INJECTION (Ref # 49056) | 49056-2062 | 2 |
| PIPE-INJECTION (Ref # 49056A) | 49056-6003 | 1 |
| RING-O,INJECTION NOZZLE (Ref # 92055) | 92055-1622 | 2 |
| GROMMET (Ref # 92071) | 92071-0781 | 1 |
| SEAL (Ref # 92093) | 92093-0718 | 2 |
| SEAL (Ref # 92093A) | 92093-2127 | 1 |
| BOLT,6X12 (Ref # 92154) | 92154-2938 | 2 |
| BOLT-FLANGED,6X16 (Ref # 130) | 130BB0616 | 2 |
| BOLT-FLANGED,6X45 (Ref # 130A) | 130CA0645 | 2 |
| O RING,8MM (Ref # 670) | 670E1508 | 3 |