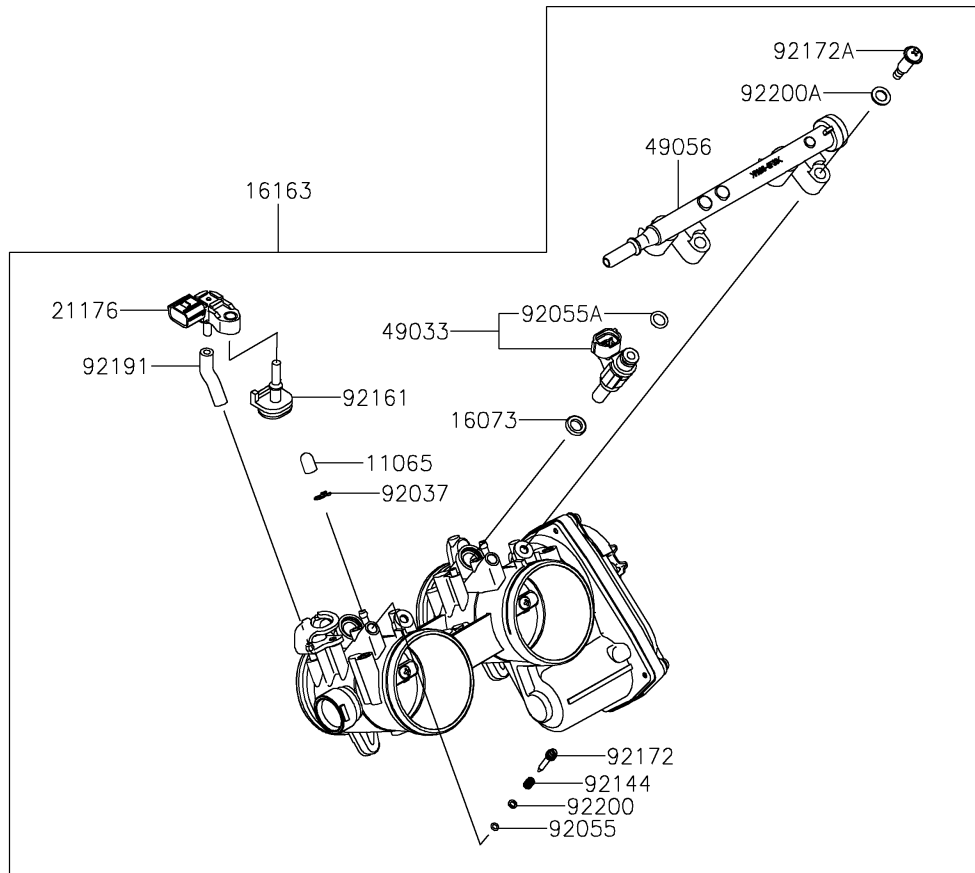
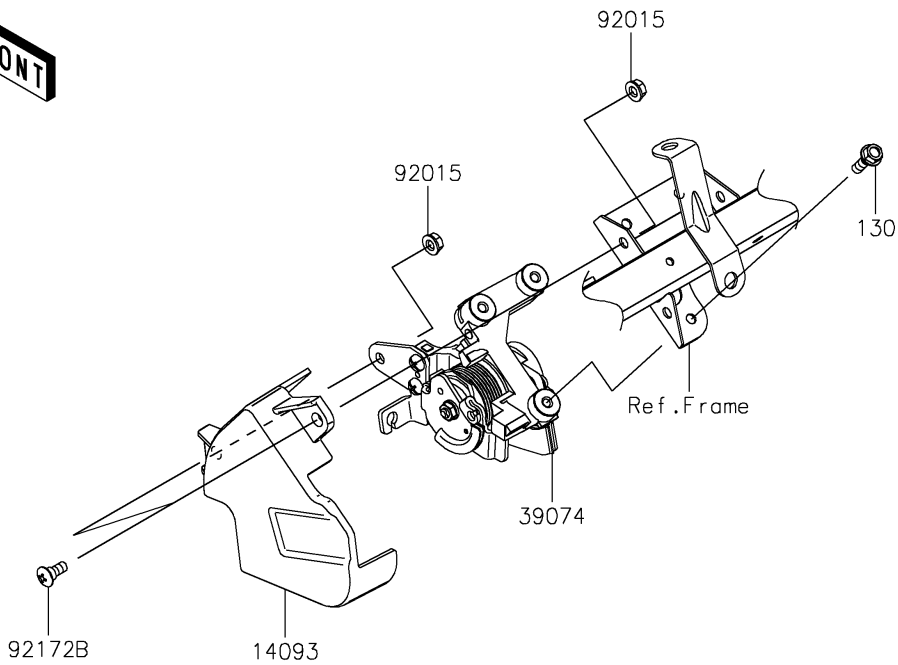


2021 TERYX KRX® 1000 PARTS DIAGRAM

Throttle

E1510



2021 TERYX KRX® 1000 PARTS LIST

Throttle

| ITEM NAME | PART NUMBER | QUANTITY |
|--|-------------|----------|
| CAP (Ref # 11065) | 11065-0072 | 2 |
| COVER,APS (Ref # 14093) | 14093-0953 | 1 |
| INSULATOR (Ref # 16073) | 16073-0848 | 2 |
| THROTTLE-ASSY (Ref # 16163) | 16163-0991 | 1 |
| SENSOR,PRESSURE (Ref # 21176) | 21176-0906 | 1 |
| LEVER-ASSY-THROTTLE (Ref # 39074) | 39074-0004 | 1 |
| NOZZLE-INJECTION (Ref # 49033) | 49033-0040 | 2 |
| PIPE-INJECTION (Ref # 49056) | 49056-0564 | 1 |
| NUT,FLANGED,6MM (Ref # 92015) | 92015-1367 | 2 |
| CLAMP,TUBE (Ref # 92037) | 92037-1124 | 2 |
| RING-O (Ref # 92055) | 92055-0840 | 2 |
| RING-O,INJECTION NOZZLE (Ref # 92055A) | 92055-0937 | 2 |
| SPRING,THROTTLE STOP SCREW (Ref # 92144) | 92144-1674 | 2 |
| DAMPER (Ref # 92161) | 92161-0673 | 1 |
| SCREW (Ref # 92172) | 92172-0156 | 2 |
| SCREW,PIPE INJECTION (Ref # 92172A) | 92172-0828 | 2 |
| SCREW,6X16 (Ref # 92172B) | 92172-1333 | 2 |
| TUBE,3.2X7.4X40 (Ref # 92191) | 92191-1551 | 1 |
| WASHER,PILOT AIR SCREW (Ref # 92200) | 92200-1564 | 2 |
| WASHER (Ref # 92200A) | 92200-3807 | 2 |
| BOLT-FLANGED,6X20 (Ref # 130) | 130BA0620 | 3 |