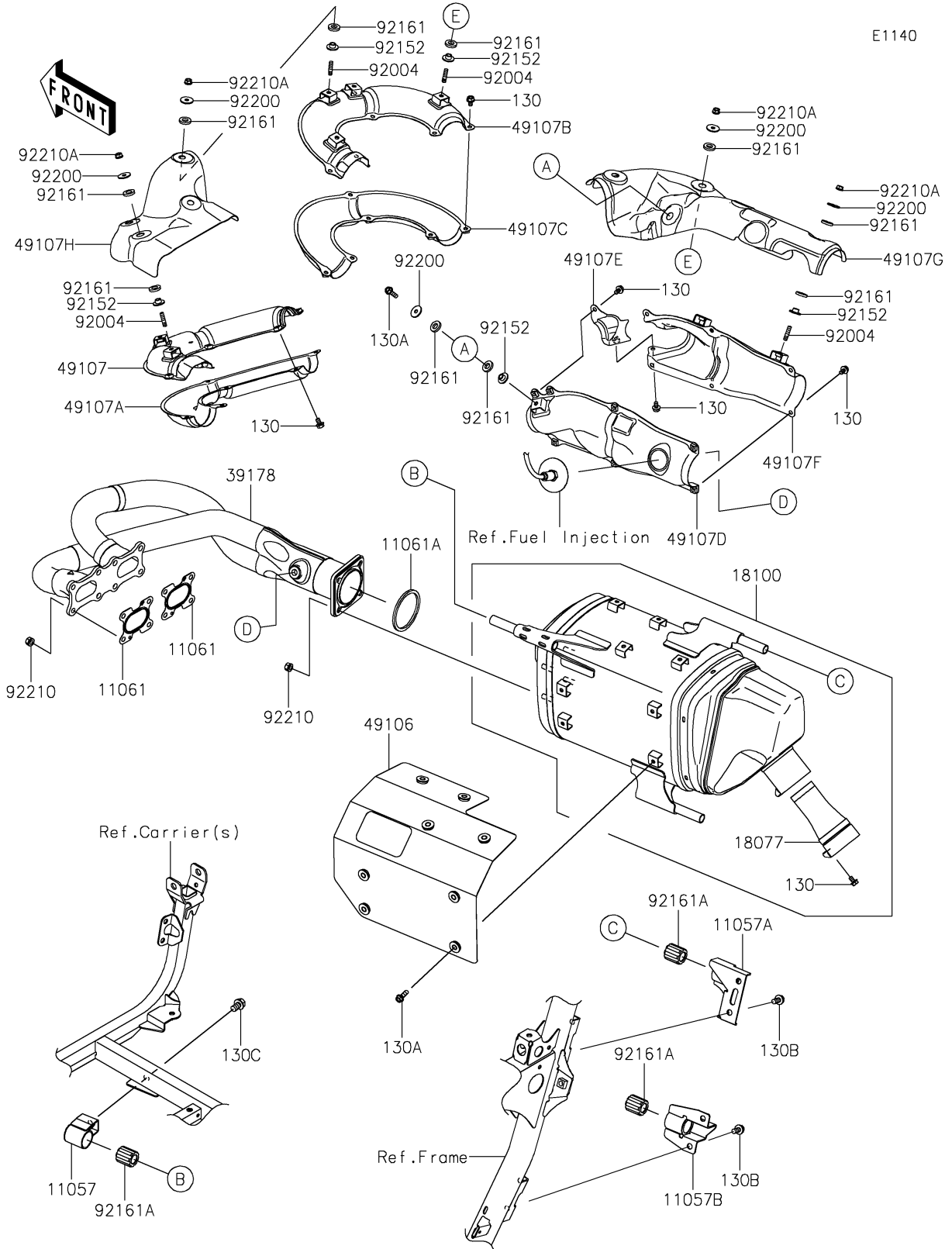


2021 TERYX KRX® 1000 TRAIL EDITION PARTS DIAGRAM

Muffler(s)



2021 TERYX KRX® 1000 TRAIL EDITION PARTS LIST

Muffler(s)

| ITEM NAME | PART NUMBER | QUANTITY |
|--|-------------|----------|
| BRACKET,FRM-MUFFLER/FR (Ref # 11057) | 11057-3721 | 1 |
| BRACKET,FRM-MUFFLER/RR/UPP (Ref # 11057A) | 11057-3722 | 1 |
| BRACKET,FRM-MUFFLER/RR/LWR (Ref # 11057B) | 11057-3723 | 1 |
| GASKET,CYL.HEAD-EXHAUST PIPE (Ref # 11061) | 11061-1310 | 2 |
| GASKET,EXHAUST PIPE-MUFFLER (Ref # 11061A) | 11061-1311 | 1 |
| ARRESTER-SPARK (Ref # 18077) | 18077-0045 | 1 |
| BODY-ASSY-MUFFLER (Ref # 18100) | 18100-0605 | 1 |
| MANIFOLD-COMP-EXHAUST (Ref # 39178) | 39178-0389 | 1 |
| COVER-MUFFLER (Ref # 49106) | 49106-0847 | 1 |
| COVER-EXHAUST PIPE,#1,UPP (Ref # 49107) | 49107-0814 | 1 |
| COVER-EXHAUST PIPE,#1,LWR (Ref # 49107A) | 49107-0815 | 1 |
| COVER-EXHAUST PIPE,#2,UPP (Ref # 49107B) | 49107-0816 | 1 |
| COVER-EXHAUST PIPE,#2,LWR (Ref # 49107C) | 49107-0817 | 1 |
| COVER-EXHAUST PIPE,LH (Ref # 49107D) | 49107-0819 | 1 |
| COVER-EXHAUST PIPE (Ref # 49107E) | 49107-0820 | 1 |
| COVER-EXHAUST PIPE,RH (Ref # 49107F) | 49107-0825 | 1 |
| COVER-EXHAUST PIPE (Ref # 49107G) | 49107-0829 | 1 |
| COVER-EXHAUST PIPE (Ref # 49107H) | 49107-0836 | 1 |
| STUD,6X18 (Ref # 92004) | 92004-0799 | 8 |
| COLLAR (Ref # 92152) | 92152-0423 | 9 |
| DAMPER (Ref # 92161) | 92161-0319 | 18 |
| DAMPER (Ref # 92161A) | 92161-2274 | 3 |
| WASHER,6.5X22X1.6 (Ref # 92200) | 92200-2324 | 9 |
| NUT,8MM (Ref # 92210) | 92210-1242 | 12 |
| NUT,6MM (Ref # 92210A) | 92210-1787 | 8 |
| BOLT-FLANGED,6X10 (Ref # 130) | 130BD0610 | 21 |
| BOLT-FLANGED,6X20 (Ref # 130A) | 130BD0620 | 9 |
| BOLT-FLANGED,8X16 (Ref # 130B) | 130CA0816 | 4 |
| BOLT-FLANGED,10X16 (Ref # 130C) | 130CA1016 | 1 |