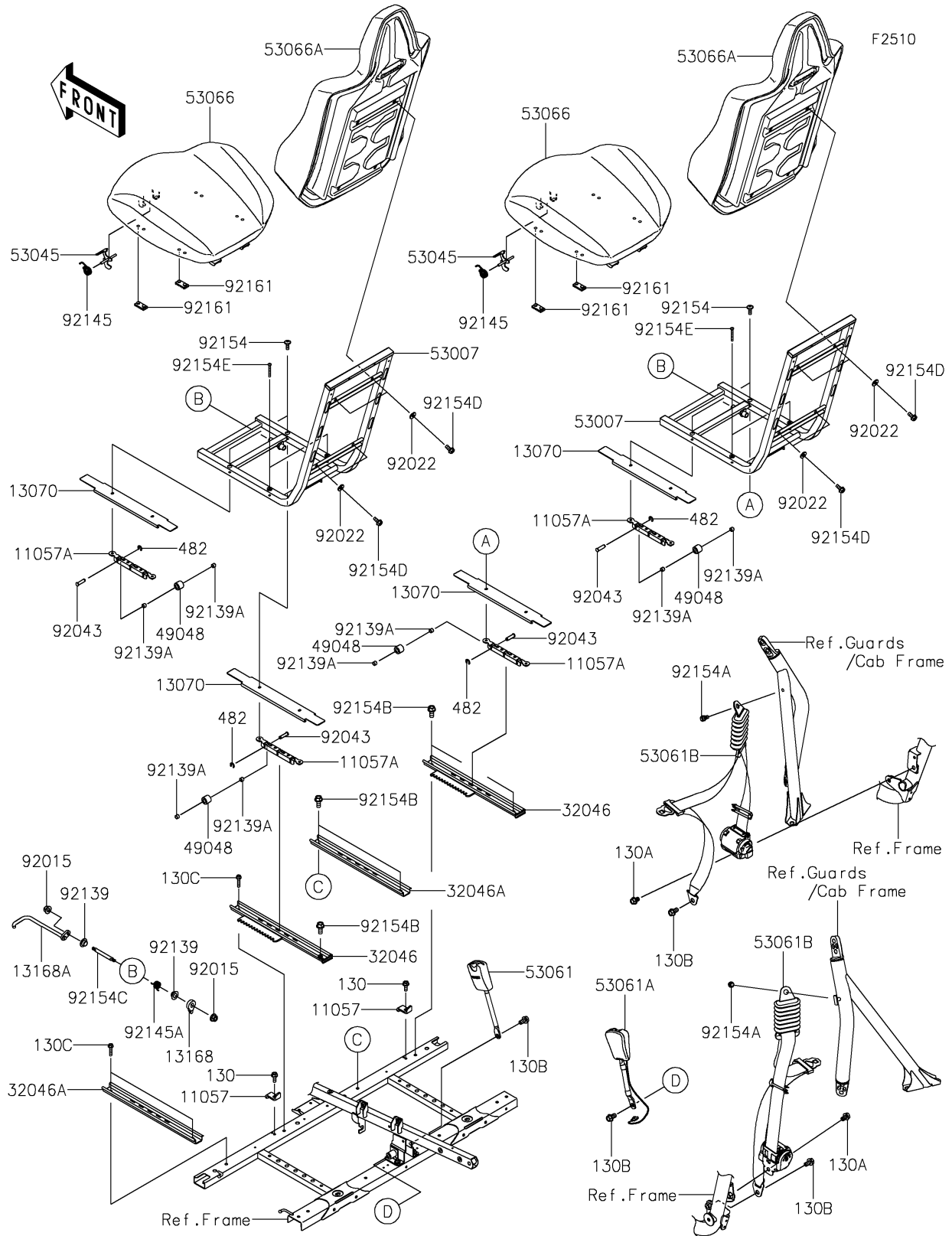


2021 TERYX KRX® 1000 TRAIL EDITION PARTS DIAGRAM

Seat



2021 TERYX KRX® 1000 TRAIL EDITION PARTS LIST

Seat

ITEM NAME	PART NUMBER	QUANTITY
BRACKET (Ref # 11057)	11057-2767	2
BRACKET (Ref # 11057A)	11057-2788	4
GUIDE (Ref # 13070)	13070-0923	4
LEVER,STOP (Ref # 13168)	13168-0883	2
LEVER,SEAT ADJUST (Ref # 13168A)	13168-0884	2
BRACKET-SEAT,RAIL,RH (Ref # 32046)	32046-0447	2
BRACKET-SEAT,RAIL,LH (Ref # 32046A)	32046-0448	2
SHOE,SLIDE (Ref # 49048)	49048-0018	12
FRAME-SEAT (Ref # 53007)	53007-0440	2
HOOK-ASSY,SEAT BOTTOM (Ref # 53045)	53045-0034	2
BELT-SEAT,BUCKLE,PASSENGER (Ref # 53061)	53061-0358	1
BELT-SEAT,BUCKLE,DRIVER (Ref # 53061A)	53061-0359	1
BELT-SEAT,RETRACTOR (Ref # 53061B)	53061-0360	2
SEAT-ASSY,BOTTOM,SIL+BLK+BLK (Ref # 53066)	53066-0632-13B	2
SEAT-ASSY,BACK,SIL+BLK+SIL (Ref # 53066A)	53066-0633-64L	2
NUT,8MM (Ref # 92015)	92015-1432	4
WASHER,6.5X16X2 (Ref # 92022)	92022-1565	8
PIN (Ref # 92043)	92043-0991	12
BUSHING (Ref # 92139)	92139-0230	4
BUSHING (Ref # 92139A)	92139-0967	24
SPRING,SEAT LATCH (Ref # 92145)	92145-0022	2
SPRING,ADJUST LEVER (Ref # 92145A)	92145-1858	2
BOLT,SOCKET,6X18 (Ref # 92154)	92154-0139	4
BOLT,FLANGED,10X16 (Ref # 92154A)	92154-2089	2
BOLT-FLANGED,8X16 (Ref # 92154B)	92154-2670	5
BOLT,ADJUST LEVER (Ref # 92154C)	92154-3923	2
BOLT,FLANGED,6X14 (Ref # 92154D)	92154-3968	8
BOLT,SOCKET,6X45 (Ref # 92154E)	92154-4135	4
DAMPER,SEAT (Ref # 92161)	92161-1489	8

2021 TERYX KRX® 1000 TRAIL EDITION PARTS LIST

Seat

ITEM NAME	PART NUMBER	QUANTITY
BOLT-FLANGED,6X16 (Ref # 130)	130BA0616	2
BOLT-FLANGED,12X18 (Ref # 130A)	130BA1218	2
BOLT-FLANGED,12X22 (Ref # 130B)	130BA1222	4
BOLT-FLANGED,8X35 (Ref # 130C)	130CA0835	3
CIRCLIP-TYPE-E,4MM (Ref # 482)	482J4000	12