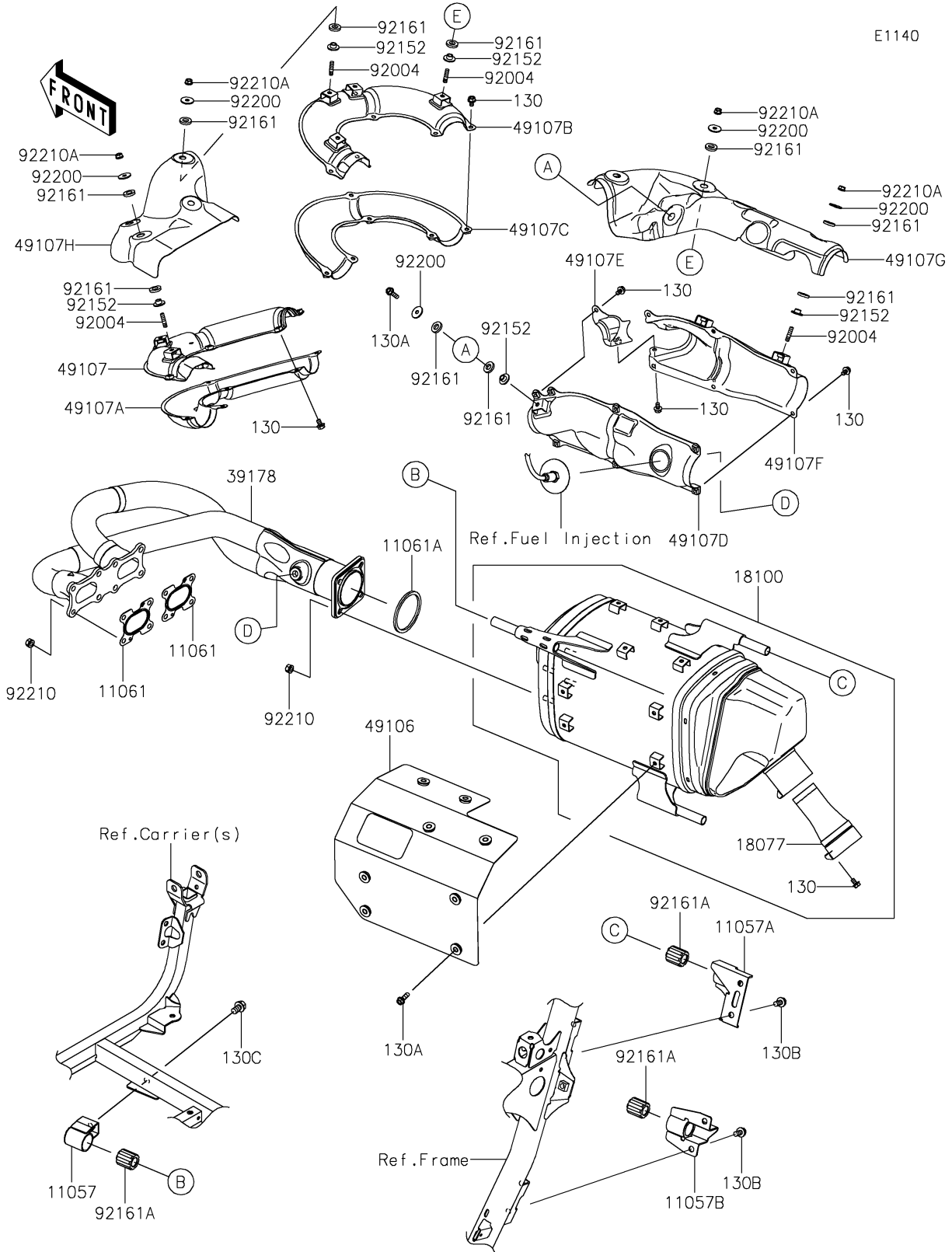


2021 TERYX KRX® 1000 PARTS DIAGRAM

Muffler(s)



2021 TERYX KRX® 1000 PARTS LIST

Muffler(s)

ITEM NAME	PART NUMBER	QUANTITY
-----------	-------------	----------