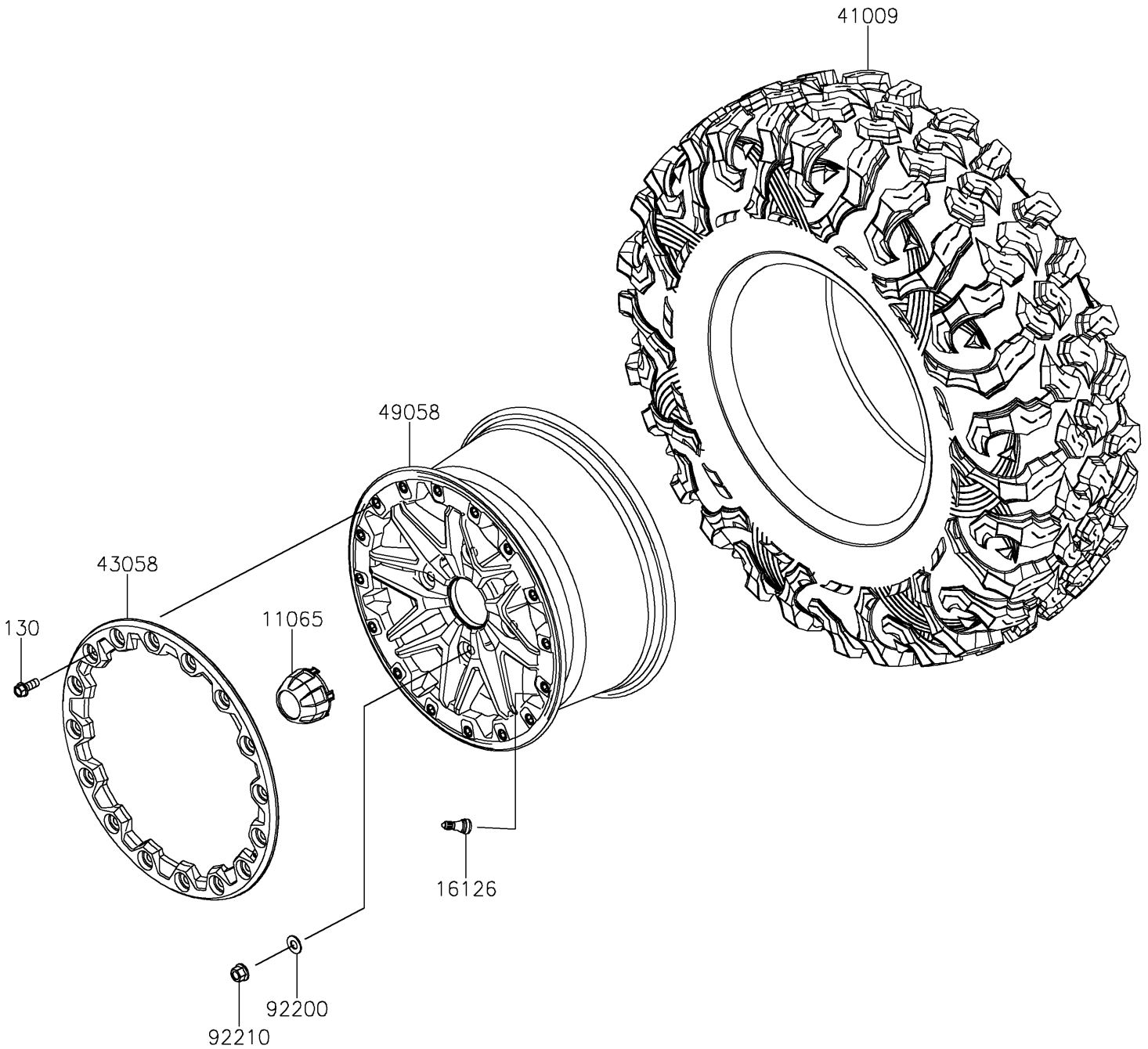


2021 TERYX KRX® 1000 PARTS DIAGRAM

Wheels/Tires

F2210



2021 TERYX KRX® 1000 PARTS LIST

Wheels/Tires

| ITEM NAME | PART NUMBER | QUANTITY |
|--------------------------------------|----------------|----------|
| CAP,WHEEL (Ref # 11065) | 11065-1341 | 4 |
| VALVE (Ref # 16126) | 16126-4001 | 4 |
| TIRE,31X10.00R15 ML1 (Ref # 41009) | 41009-0817 | 4 |
| RING,BEADLOCK,M.SILVER (Ref # 43058) | 43058-0706-66K | 4 |
| WHEEL,F.S.BLACK (Ref # 49058) | 49058-0706-397 | 4 |
| WASHER,12.1X25X1.6 (Ref # 92200) | 92200-0455 | 16 |
| NUT,12MM (Ref # 92210) | 92210-0603 | 16 |
| BOLT-FLANGED (Ref # 130) | 130CA1025 | 64 |