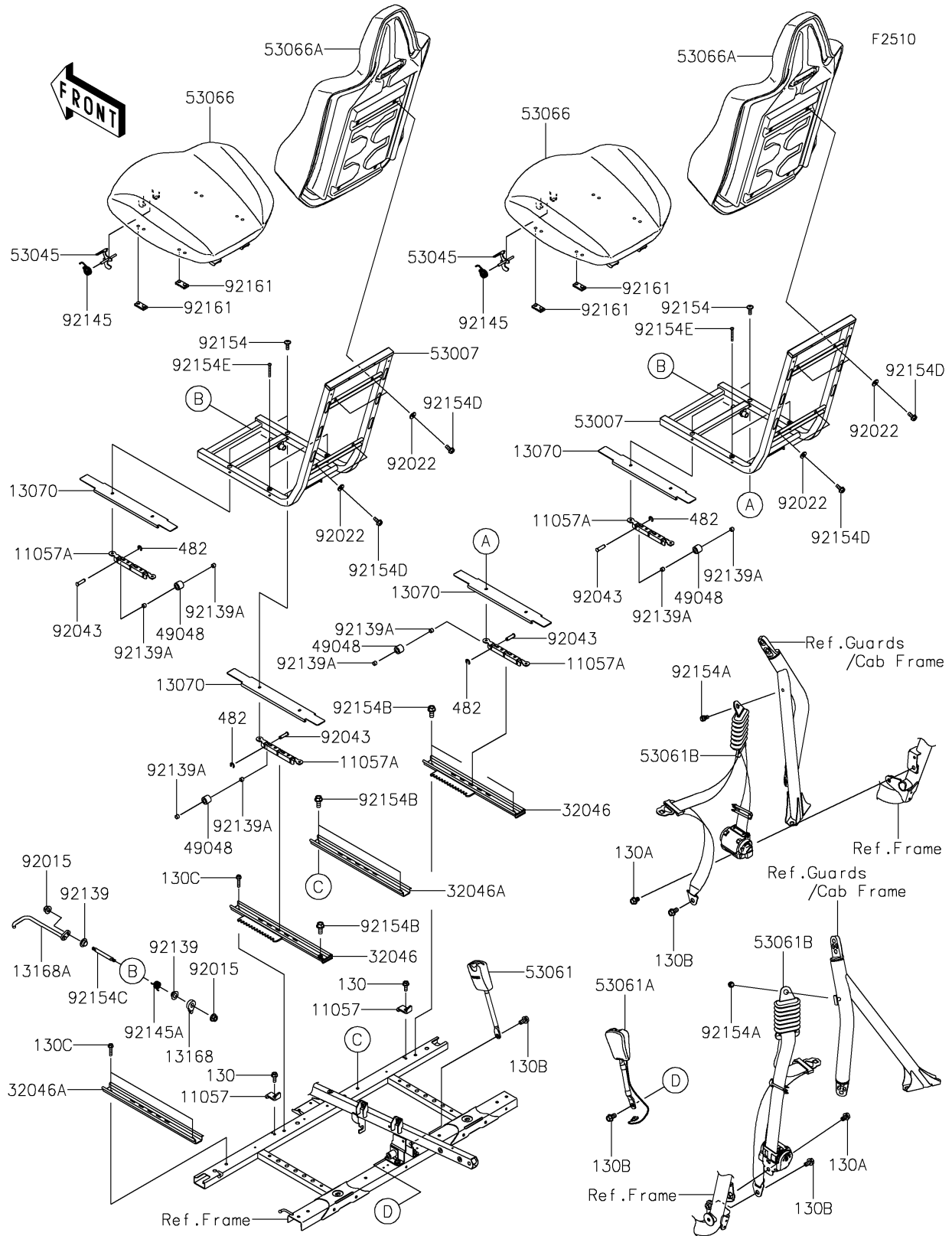


2021 TERYX KRX® 1000 PARTS DIAGRAM

Seat



2021 TERYX KRX® 1000 PARTS LIST

Seat

ITEM NAME	PART NUMBER	QUANTITY
-----------	-------------	----------