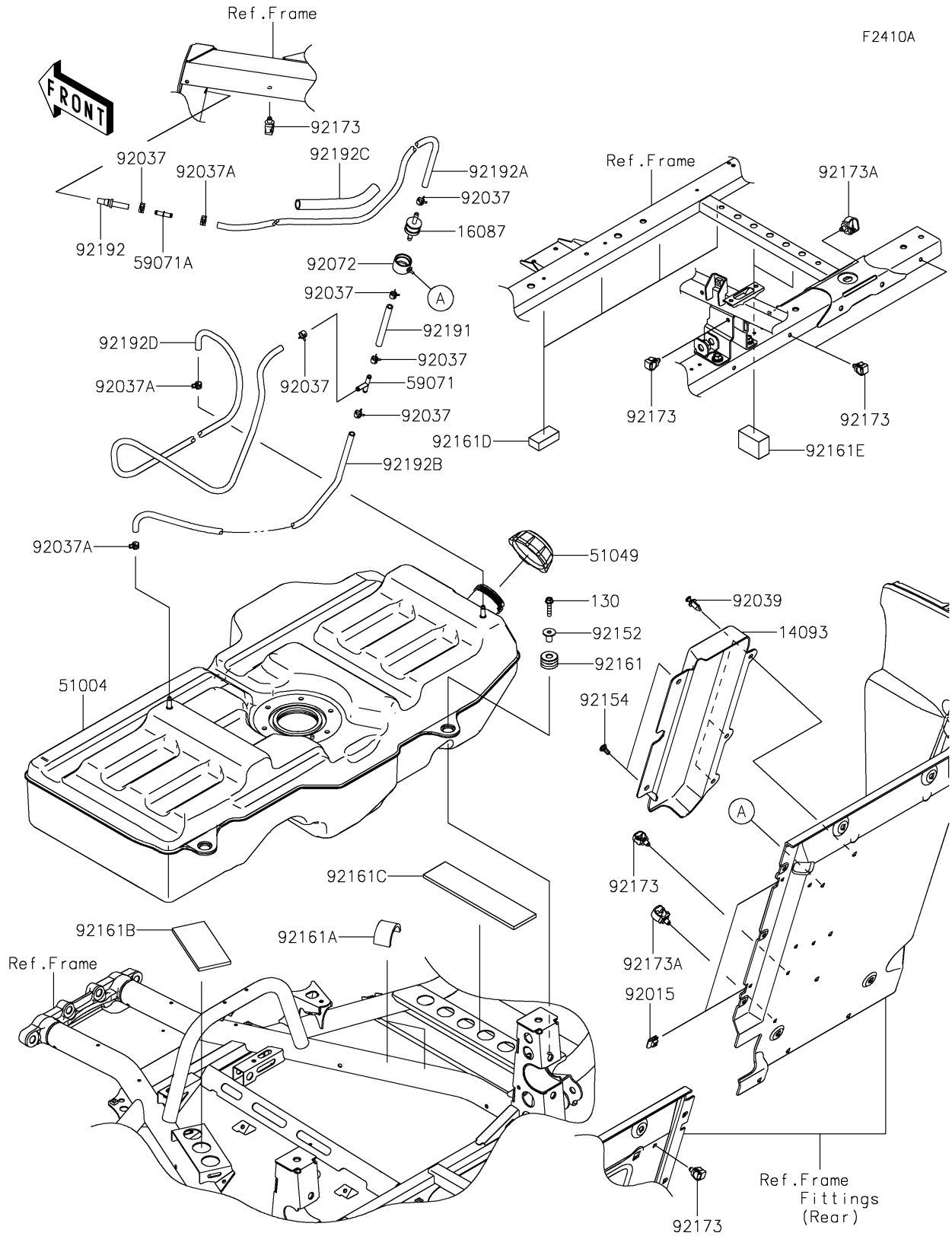


# 2022 TERYX KRX® 1000 PARTS DIAGRAM

Fuel Tank(CN,US)



## 2022 TERYX KRX® 1000 PARTS LIST

Fuel Tank(CN,US)

| ITEM NAME                                    | PART NUMBER | QUANTITY |
|--|-------------|----------|
| COVER,BREATHER PIPE (Ref # 14093)            | 14093-0987  | 1        |
| VALVE-CHECK (Ref # 16087)                    | 16087-0008  | 1        |
| TANK-FUEL (Ref # 51004)                      | 51004-0031  | 1        |
| CAP-TANK,FUEL (Ref # 51049)                  | 51049-0718  | 1        |
| JOINT (Ref # 59071)                          | 59071-3705  | 1        |
| JOINT (Ref # 59071A)                         | 59071-3717  | 1        |
| NUT,CLAMP,6MM (Ref # 92015)                  | 92015-1678  | 2        |
| CLAMP,TUBE (Ref # 92037)                     | 92037-1461  | 6        |
| CLAMP (Ref # 92037A)                         | 92037-2113  | 3        |
| RIVET (Ref # 92039)                          | 92039-0776  | 3        |
| BAND (Ref # 92072)                           | 92072-0850  | 1        |
| COLLAR,6.8X10X18.1 (Ref # 92152)             | 92152-1867  | 3        |
| BOLT (Ref # 92154)                           | 92154-3957  | 2        |
| DAMPER,TANK (Ref # 92161)                    | 92161-2178  | 3        |
| DAMPER,TANK FRAME PIPE (Ref # 92161A)        | 92161-2179  | 2        |
| DAMPER,TANK LH LOWER (Ref # 92161B)          | 92161-2180  | 1        |
| DAMPER,TANK LOWER (Ref # 92161C)             | 92161-2253  | 1        |
| DAMPER,TANK & SEAT FRAME (Ref # 92161D)      | 92161-2275  | 4        |
| DAMPER,TANK & SEAT FRAME (Ref # 92161E)      | 92161-2288  | 2        |
| CLAMP,12MM DIA. (Ref # 92173)                | 92173-0736  | 6        |
| CLAMP (Ref # 92173A)                         | 92173-0861  | 2        |
| TUBE,5X9X100 (Ref # 92191)                   | 92191-1792  | 1        |
| TUBE,FRAME PIPE-CHECK VALVE (Ref # 92192)    | 92192-0068  | 1        |
| TUBE,5X11X870 (Ref # 92192A)                 | 92192-1948  | 1        |
| TUBE,5X11X1020 (Ref # 92192B)                | 92192-1994  | 1        |
| TUBE,CONVOLUTED,13.2X17.5X160 (Ref # 92192C) | 92192-2294  | 1        |
| TUBE,5X11X1380 (Ref # 92192D)                | 92192-2351  | 1        |
| BOLT-FLANGED,6X30 (Ref # 130)                | 130BA0630   | 3        |