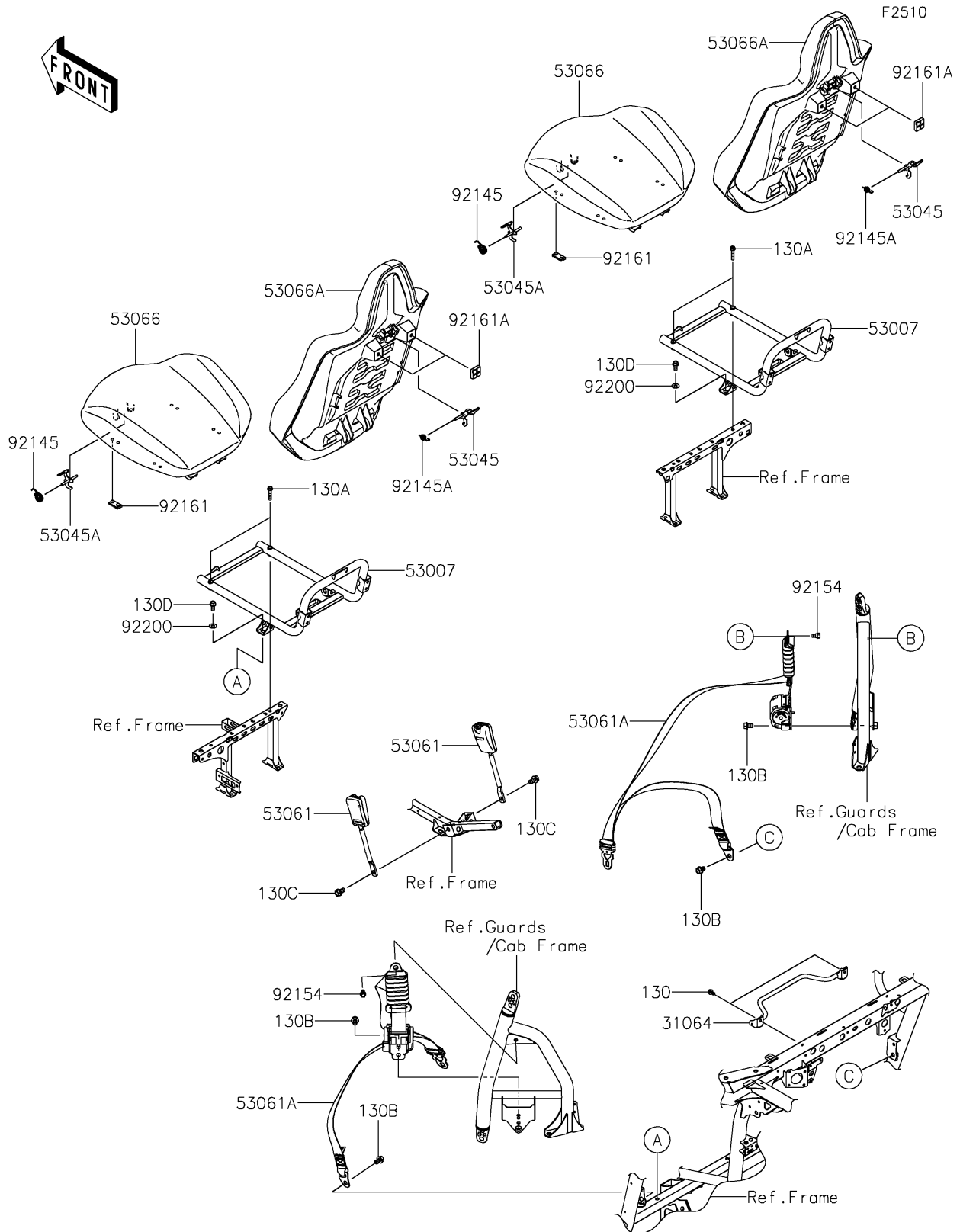


2024 TERYX® KRX4™ 1000 eS PARTS DIAGRAM

Seat(Rear)



2024 TERYX® KRX4™ 1000 eS PARTS LIST

Seat(Rear)

| ITEM NAME | PART NUMBER | QUANTITY |
|--|----------------|----------|
| PIPE-COMP,RR,SEAT SUPPORT (Ref # 31064) | 31064-0742 | 1 |
| FRAME-SEAT (Ref # 53007) | 53007-0446 | 2 |
| HOOK-ASSY,SEAT BACK (Ref # 53045) | 53045-0037 | 2 |
| HOOK-ASSY,SEAT BOTTOM (Ref # 53045A) | 53045-0039 | 2 |
| BELT-SEAT,BUCKLE (Ref # 53061) | 53061-0039 | 2 |
| BELT-SEAT,RETRACTOR (Ref # 53061A) | 53061-0369 | 2 |
| SEAT-ASSY,BOTTOM,BLACK+BLK (Ref # 53066) | 53066-0825-71Q | 2 |
| SEAT-ASSY,BACK,GRAY+BLK+SIL (Ref # 53066A) | 53066-0826-71T | 2 |
| SPRING,SEAT LATCH (Ref # 92145) | 92145-0022 | 2 |
| SPRING (Ref # 92145A) | 92145-2235 | 2 |
| BOLT,FLANGED,10X16 (Ref # 92154) | 92154-2089 | 2 |
| DAMPER,SEAT (Ref # 92161) | 92161-1489 | 8 |
| DAMPER,10X34X10 (Ref # 92161A) | 92161-1920 | 4 |
| WASHER,10.3X23X1.6 (Ref # 92200) | 92200-0724 | 4 |
| BOLT-FLANGED,8X14 (Ref # 130) | 130BA0814 | 2 |
| BOLT-FLANGED,8X40 (Ref # 130A) | 130BA0840 | 4 |
| BOLT-FLANGED,12X18 (Ref # 130B) | 130BA1218 | 4 |
| BOLT-FLANGED,12X22 (Ref # 130C) | 130BA1222 | 2 |
| BOLT-FLANGED,10X20 (Ref # 130D) | 130CA1020 | 4 |