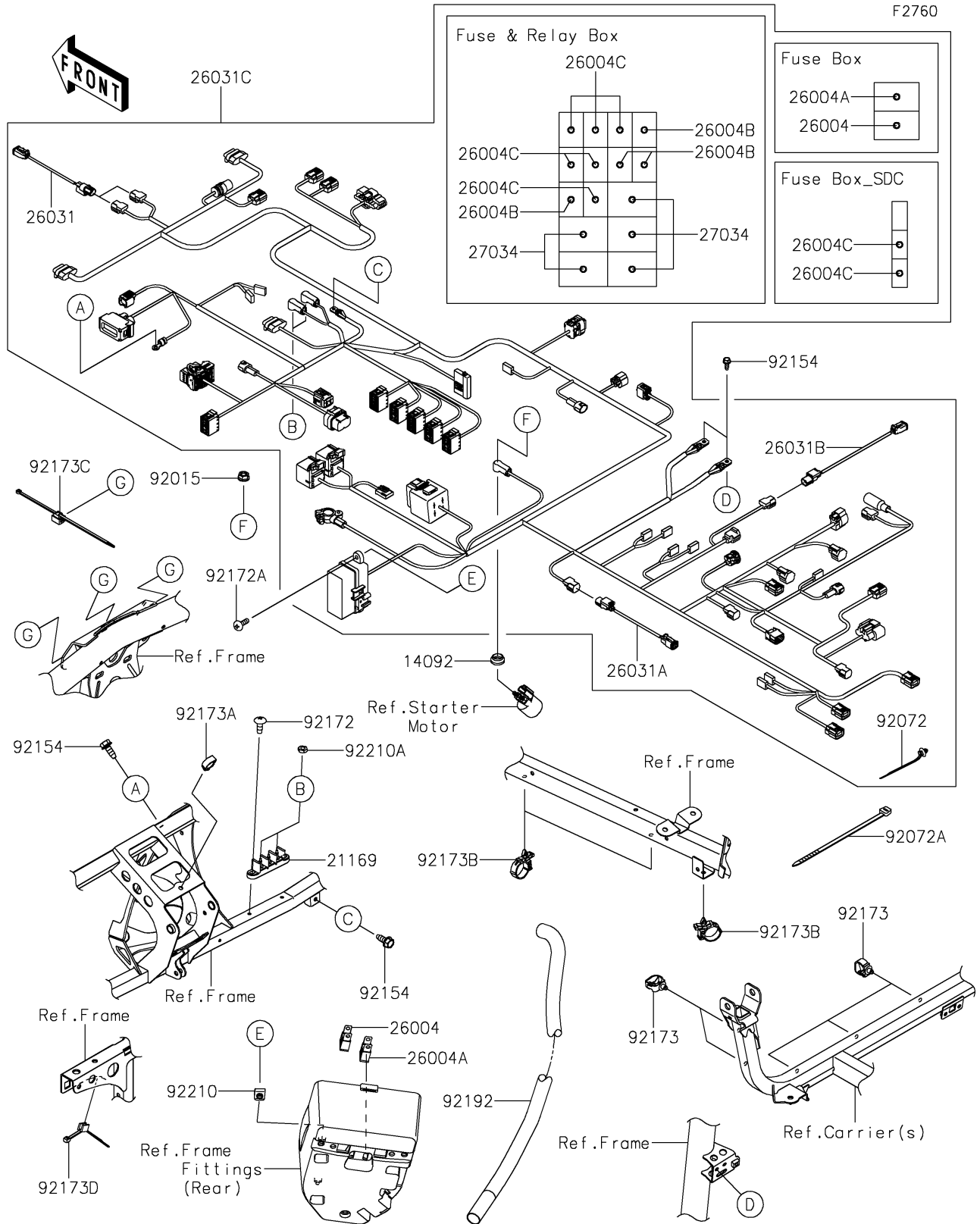


# 2023 Teryx KRX® 4 1000 eS Special Edition PARTS DIAGRAM

Chassis Electrical Equipment



# 2023 Teryx KRX® 4 1000 eS Special Edition PARTS LIST

## Chassis Electrical Equipment

ITEM NAME	PART NUMBER	QUANTITY
COVER,MAGNETIC SW. (Ref # 14092)	14092-0851	1
TERMINAL (Ref # 21169)	21169-0571	1
FUSE-ASSY,SLOW-BLOW,60A (Ref # 26004)	26004-0029	2
FUSE-ASSY,SLOW-BLOW,70A (Ref # 26004A)	26004-0030	2
FUSE-ASSY,20A (Ref # 26004B)	26004-0033	4
FUSE-ASSY,10A (Ref # 26004C)	26004-0034	8
HARNESS,SUB,FR SUSPENSION (Ref # 26031)	26031-3752	2
HARNESS,SUB,RR SUSPENSION,LH (Ref # 26031A)	26031-3753	1
HARNESS,SUB,RR SUSPENSION,RH (Ref # 26031B)	26031-3754	1
HARNESS,MAIN (Ref # 26031C)	26031-3835	1
RELAY (Ref # 27034)	27034-0013	5
NUT,FLANGED,6MM (Ref # 92015)	92015-1367	1
BAND,OS170-FT7(BLACK) (Ref # 92072)	92072-1414	AR
BAND,L=292.1 (Ref # 92072A)	92072-3509	3
BOLT,FLANGED,6X16 (Ref # 92154)	92154-0551	4
SCREW,TAPPING,6X16 (Ref # 92172)	92172-0739	2
SCREW,5X20 (Ref # 92172A)	92172-2081	2
CLAMP (Ref # 92173)	92173-0861	5
CLAMP,HOLDER CLIP (Ref # 92173A)	92173-0868	1
CLAMP,CABLE,28MM (Ref # 92173B)	92173-1062	3
CLAMP (Ref # 92173C)	92173-1578	3
CLAMP,W/EDGE CLIP,DIA.6-45 (Ref # 92173D)	92173-1827	1
TUBE,CORRUGATED,L=2445 (Ref # 92192)	92192-2562	1
NUT (Ref # 92210)	92210-0571	2
NUT (Ref # 92210A)	92210-1680	2