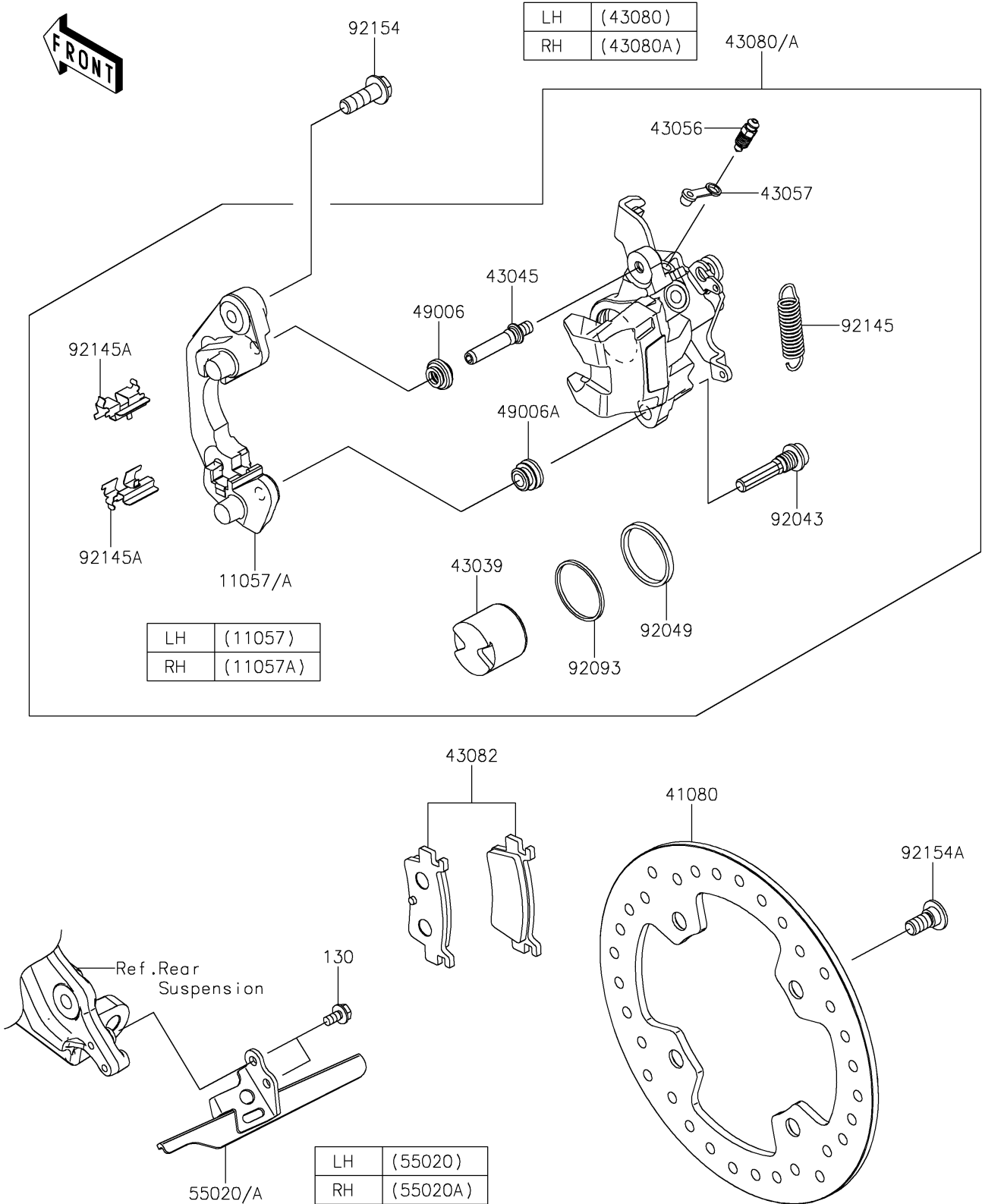


# 2023 TERYX KRX® 1000 eS PARTS DIAGRAM

Rear Brake

F2294



## 2023 TERYX KRX® 1000 eS PARTS LIST

### Rear Brake

| ITEM NAME                             | PART NUMBER | QUANTITY |
|---------------------------------------|-------------|----------|
| BRACKET,LH (Ref # 11057)              | 11057-2900  | 1        |
| BRACKET,RH (Ref # 11057A)             | 11057-2902  | 1        |
| DISC,BRAKE (Ref # 41080)              | 41080-0712  | 2        |
| PISTON-BRAKE (Ref # 43039)            | 43039-0022  | 2        |
| SHAFT-CALIPER (Ref # 43045)           | 43045-0017  | 2        |
| BREATHER-BRAKE (Ref # 43056)          | 43056-0055  | 2        |
| CAP-BREATHER (Ref # 43057)            | 43057-0552  | 2        |
| CALIPER-SUB-ASSY,RR,LH (Ref # 43080)  | 43080-0223  | 1        |
| CALIPER-SUB-ASSY,RR,RH (Ref # 43080A) | 43080-0224  | 1        |
| PAD-ASSY-BRAKE (Ref # 43082)          | 43082-0197  | 2        |
| BOOT (Ref # 49006)                    | 49006-0566  | 2        |
| BOOT (Ref # 49006A)                   | 49006-0624  | 2        |
| GUARD,RR-CALIPER,LH (Ref # 55020)     | 55020-2268  | 1        |
| GUARD,RR-CALIPER,RH (Ref # 55020A)    | 55020-2269  | 1        |
| PIN (Ref # 92043)                     | 92043-0985  | 2        |
| SEAL-OIL (Ref # 92049)                | 92049-0830  | 2        |
| SEAL (Ref # 92093)                    | 92093-0743  | 2        |
| SPRING,RETURN,47MM (Ref # 92145)      | 92145-1690  | 2        |
| SPRING (Ref # 92145A)                 | 92145-1905  | 4        |
| BOLT,FLANGED,10X30 (Ref # 92154)      | 92154-0543  | 4        |
| BOLT,SOCKET,10X23 (Ref # 92154A)      | 92154-0713  | 8        |
| BOLT-FLANGED,6X12 (Ref # 130)         | 130CA0612   | 4        |