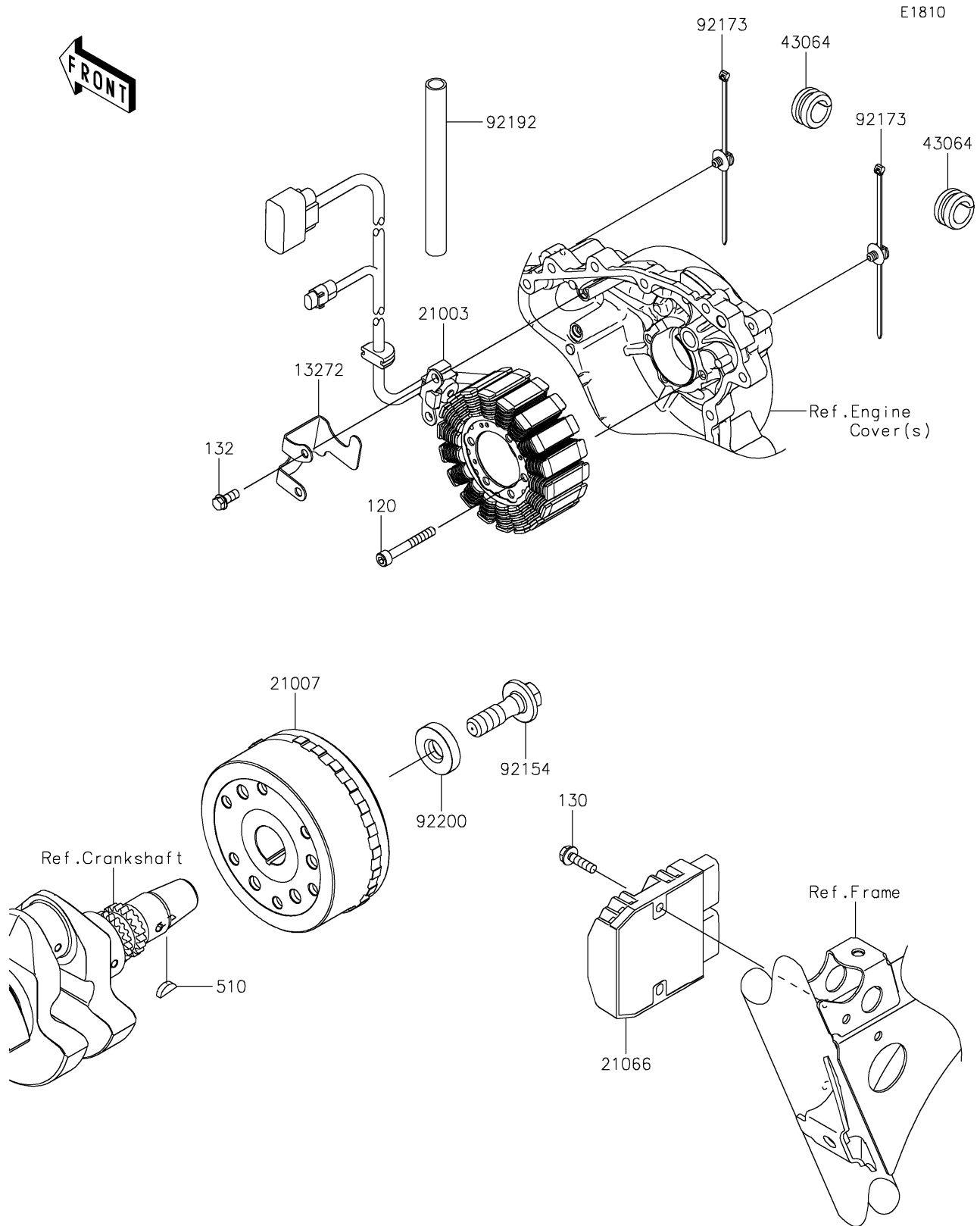


2024 Teryx KRX® 1000 PARTS DIAGRAM

Generator



2024 Teryx KRX® 1000 PARTS LIST

Generator

ITEM NAME	PART NUMBER	QUANTITY
PLATE,LEAD WIRE (Ref # 13272)	13272-2627	1
STATOR (Ref # 21003)	21003-0196	1
ROTOR (Ref # 21007)	21007-0685	1
REGULATOR-VOLTAGE (Ref # 21066)	21066-0771	1
GROMMET,HOSE CLAMP (Ref # 43064)	43064-007	2
BOLT,FLANGED,14X45 (Ref # 92154)	92154-3915	1
CLAMP (Ref # 92173)	92173-2259	2
TUBE,CONVOLUTED,10.7X14.1X140 (Ref # 92192)	92192-2521	1
WASHER,14X36X8 (Ref # 92200)	92200-2240	1
BOLT-SOCKET,6X45 (Ref # 120)	120CA0645	4
BOLT-FLANGED,6X22 (Ref # 130)	130BA0622	2
BOLT-FLANGED-SMALL,6X14 (Ref # 132)	132BA0614	2
KEY-WOODRUFF (Ref # 510)	510A4200	1