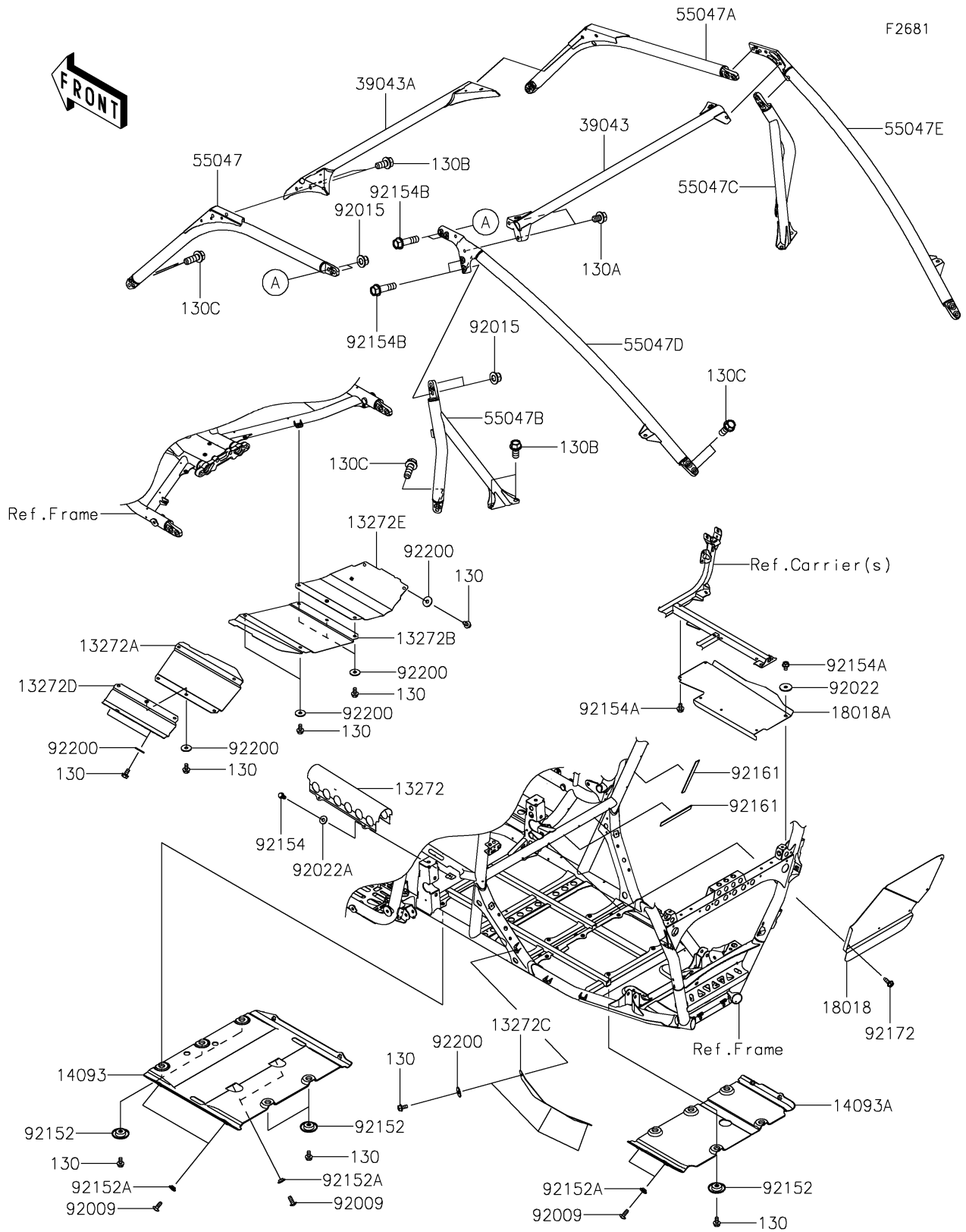


2023 Teryx KRX® 1000 Trail Edition PARTS DIAGRAM

Guards/Cab Frame



2023 Teryx KRX® 1000 Trail Edition PARTS LIST

Guards/Cab Frame

| ITEM NAME | PART NUMBER | QUANTITY |
|---|----------------|----------|
| PLATE,DRIVE SHAFT (Ref # 13272) | 13272-2642 | 1 |
| PLATE,SKID,FR,CNT,LH (Ref # 13272A) | 13272-2737 | 1 |
| PLATE,SKID,FR,CNT,RH (Ref # 13272B) | 13272-2738 | 1 |
| PLATE,CVT COVER (Ref # 13272C) | 13272-3797 | 1 |
| PLATE,SKID,FR,LH (Ref # 13272D) | 13272-4039 | 1 |
| PLATE,SKID,FR,RH (Ref # 13272E) | 13272-4040 | 1 |
| COVER,SKID,CNT (Ref # 14093) | 14093-0811 | 1 |
| COVER,SKID,RR (Ref # 14093A) | 14093-0877 | 1 |
| PLATE-HEAT GUARD (Ref # 18018) | 18018-0616 | 1 |
| PLATE-HEAT GUARD (Ref # 18018A) | 18018-0646 | 1 |
| CROSSMEMBER-COMP,RR,TURQUOISE (Ref # 39043) | 39043-0032-72F | 1 |
| CROSSMEMBER-COMP,FR,TURQUOISE (Ref # 39043A) | 39043-0033-72F | 1 |
| BAR-COMP,A-PILLAR,LH,TURQUOISE (Ref # 55047) | 55047-0399-72F | 1 |
| BAR-COMP,A-PILLAR,RH,TURQUOISE (Ref # 55047A) | 55047-0400-72F | 1 |
| BAR-COMP,B-PILLAR,LH,TURQUOISE (Ref # 55047B) | 55047-0407-72F | 1 |
| BAR-COMP,B-PILLAR,RH,TURQUOISE (Ref # 55047C) | 55047-0408-72F | 1 |
| BAR-COMP,C-PILLAR,LH,TURQUOISE (Ref # 55047D) | 55047-0409-72F | 1 |
| BAR-COMP,C-PILLAR,RH,TURQUOISE (Ref # 55047E) | 55047-0410-72F | 1 |
| SCREW,TAPPING,6X16 (Ref # 92009) | 92009-1166 | 10 |
| NUT,LOCK,FLANGED,12MM (Ref # 92015) | 92015-1433 | 8 |
| WASHER,6.5X24X2 (Ref # 92022) | 92022-1690 | 1 |
| WASHER (Ref # 92022A) | 92022-2247 | 4 |
| COLLAR (Ref # 92152) | 92152-0784 | 10 |
| COLLAR,6.3X9.5X4.1 (Ref # 92152A) | 92152-1571 | 10 |
| BOLT,FLANGED,6X12 (Ref # 92154) | 92154-2922 | 4 |
| BOLT,FLANGED,6X10 (Ref # 92154A) | 92154-4159 | 5 |
| BOLT,FLANGED,12X45 (Ref # 92154B) | 92154-7076 | 8 |
| DAMPER,10X85X1 (Ref # 92161) | 92161-1964 | 3 |
| SCREW,TAPPING,6X16 (Ref # 92172) | 92172-0869 | 5 |

2023 Teryx KRX® 1000 Trail Edition PARTS LIST

Guards/Cab Frame

| ITEM NAME | PART NUMBER | QUANTITY |
|---------------------------------|-------------|----------|
| WASHER,6.5X20X1.6 (Ref # 92200) | 92200-0283 | 17 |
| BOLT-FLANGED,6X12 (Ref # 130) | 130CA0612 | 27 |
| BOLT-FLANGED,12X16 (Ref # 130A) | 130CA1216 | 4 |
| BOLT-FLANGED,12X25 (Ref # 130B) | 130CA1225 | 8 |
| BOLT-FLANGED,12X35 (Ref # 130C) | 130CA1235 | 12 |