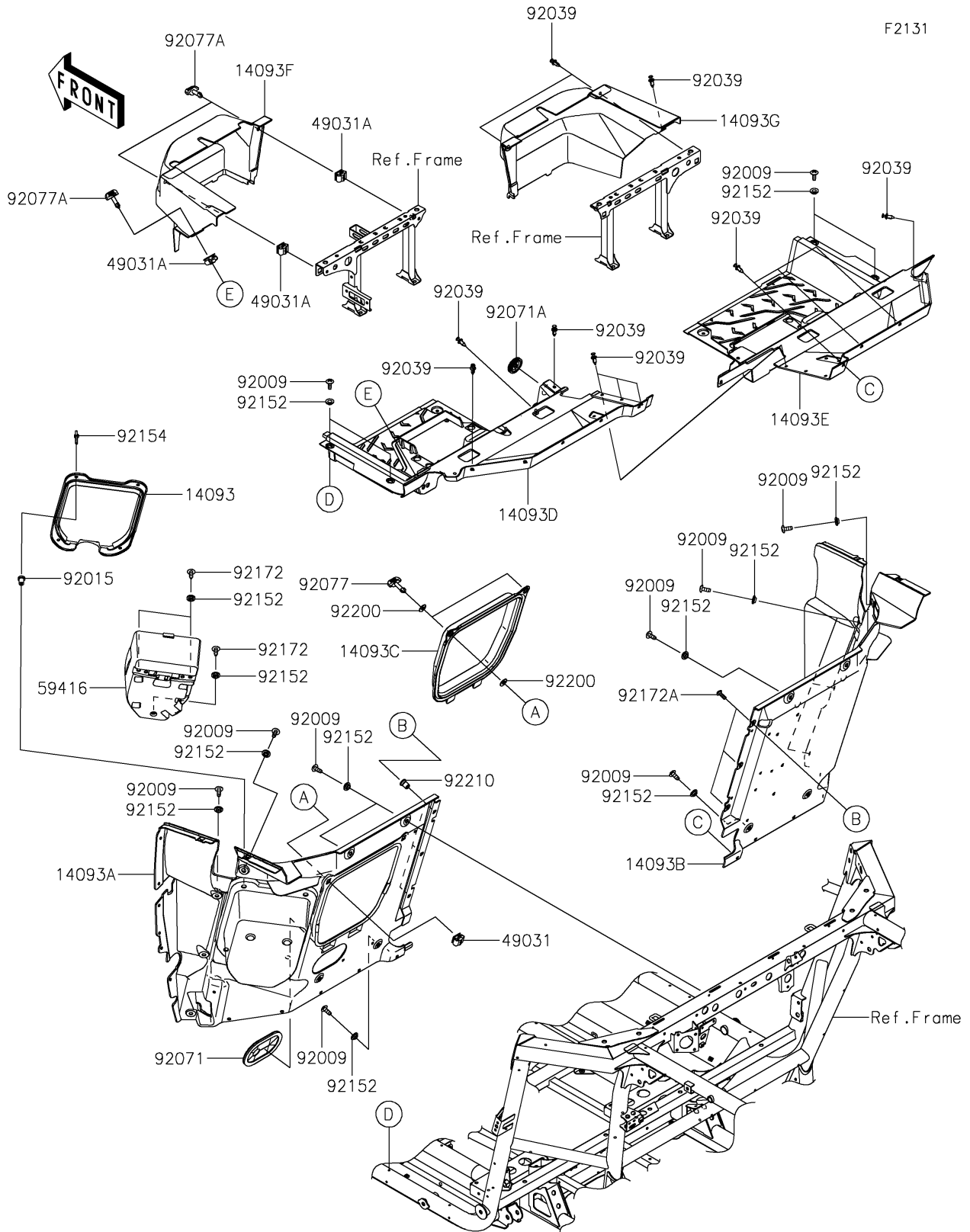


2023 TERYX® KRX4™ 1000 SE PARTS DIAGRAM

Frame Fittings(Rear)



F2131

2023 TERYX® KRX4™ 1000 SE PARTS LIST

Frame Fittings(Rear)

| ITEM NAME | PART NUMBER | QUANTITY |
|---|-------------|----------|
| COVER,ELECTRIC-CASE (Ref # 14093) | 14093-0821 | 1 |
| COVER,SEAT-BACK-PANEL,LH (Ref # 14093A) | 14093-0840 | 1 |
| COVER,SEAT-BACK-PANEL,RH (Ref # 14093B) | 14093-0841 | 1 |
| COVER,A/C-BOX (Ref # 14093C) | 14093-0843 | 1 |
| COVER,RR,FLOOR,LH (Ref # 14093D) | 14093-1231 | 1 |
| COVER,RR,FLOOR,RH (Ref # 14093E) | 14093-1232 | 1 |
| COVER,BATTERY (Ref # 14093F) | 14093-1239 | 1 |
| COVER,SEAT FRAME (Ref # 14093G) | 14093-1240 | 1 |
| LATCH,A/C-BOX (Ref # 49031) | 49031-0022 | 2 |
| LATCH (Ref # 49031A) | 49031-0030 | 3 |
| CASE-ELECTRIC (Ref # 59416) | 59416-0028 | 1 |
| SCREW,TAPPING,6X16 (Ref # 92009) | 92009-1166 | 20 |
| NUT,RUBBER,6MM (Ref # 92015) | 92015-1692 | 4 |
| RIVET (Ref # 92039) | 92039-0776 | 18 |
| GROMMET (Ref # 92071) | 92071-0789 | 1 |
| GROMMET (Ref # 92071A) | 92071-0791 | 1 |
| KNOB (Ref # 92077) | 92077-0030 | 2 |
| KNOB (Ref # 92077A) | 92077-0040 | 3 |
| COLLAR,6.3X9.5X4.1 (Ref # 92152) | 92152-1571 | 23 |
| BOLT,WING,6X25 (Ref # 92154) | 92154-4116 | 4 |
| SCREW,6X16 (Ref # 92172) | 92172-0284 | 3 |
| SCREW,5MM (Ref # 92172A) | 92172-0292 | 3 |
| WASHER (Ref # 92200) | 92200-0503 | 4 |
| NUT,WELL,5MM (Ref # 92210) | 92210-0370 | 3 |