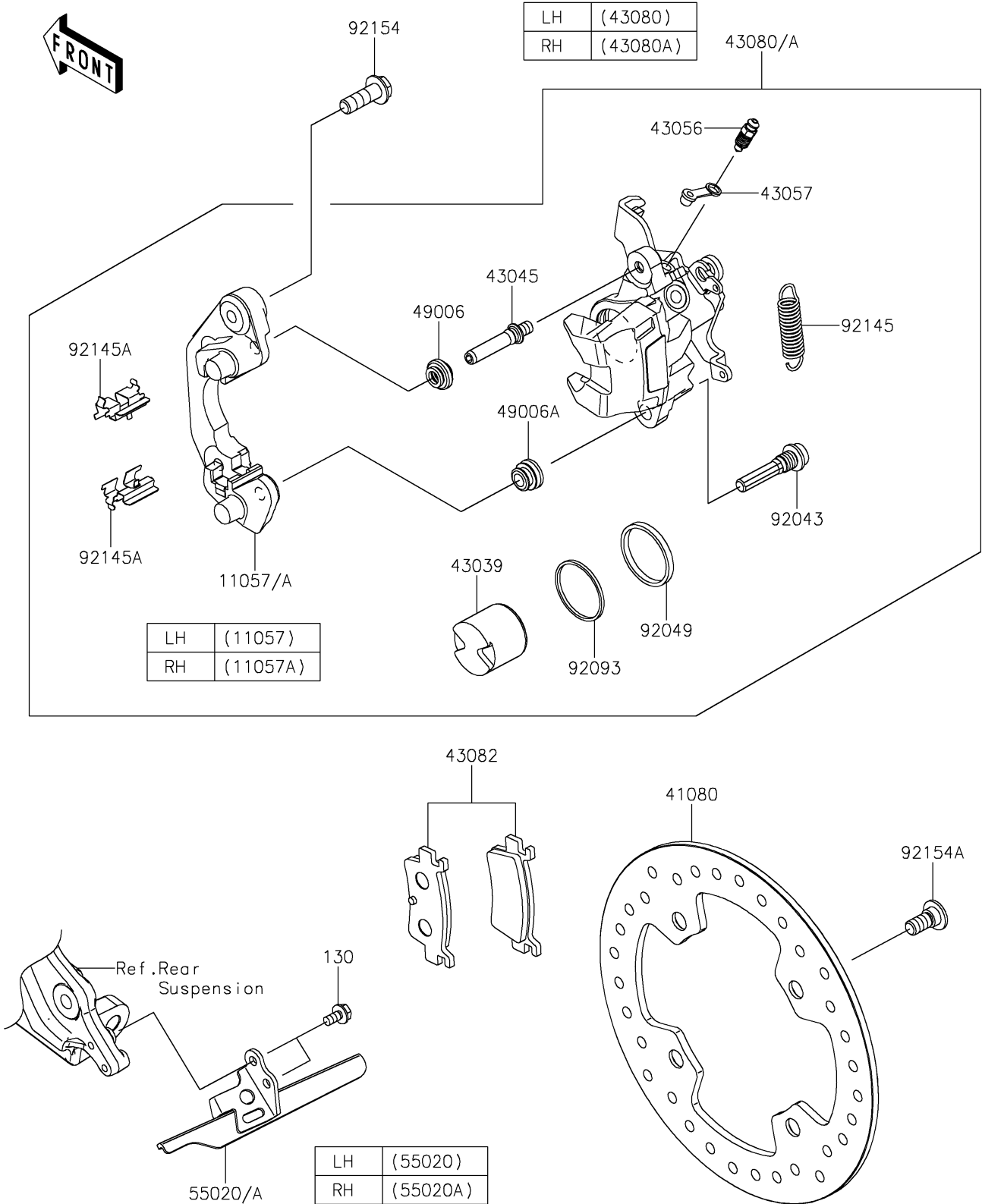


2024 TERYX® KRX4™ 1000 SE PARTS DIAGRAM

Rear Brake

F2294



2024 TERYX® KRX4™ 1000 SE PARTS LIST

Rear Brake

| ITEM NAME | PART NUMBER | QUANTITY |
|---------------------------------------|-------------|----------|
| BRACKET,LH (Ref # 11057) | 11057-2900 | 1 |
| BRACKET,RH (Ref # 11057A) | 11057-2902 | 1 |
| DISC,BRAKE (Ref # 41080) | 41080-0712 | 2 |
| PISTON-BRAKE (Ref # 43039) | 43039-0022 | 2 |
| SHAFT-CALIPER (Ref # 43045) | 43045-0017 | 2 |
| BREATHER-BRAKE (Ref # 43056) | 43056-0055 | 2 |
| CAP-BREATHER (Ref # 43057) | 43057-0552 | 2 |
| CALIPER-SUB-ASSY,RR,LH (Ref # 43080) | 43080-0223 | 1 |
| CALIPER-SUB-ASSY,RR,RH (Ref # 43080A) | 43080-0224 | 1 |
| PAD-ASSY-BRAKE (Ref # 43082) | 43082-0197 | 2 |
| BOOT (Ref # 49006) | 49006-0566 | 2 |
| BOOT (Ref # 49006A) | 49006-0624 | 2 |
| GUARD,RR-CALIPER,LH (Ref # 55020) | 55020-2268 | 1 |
| GUARD,RR-CALIPER,RH (Ref # 55020A) | 55020-2269 | 1 |
| PIN (Ref # 92043) | 92043-0985 | 2 |
| SEAL-OIL (Ref # 92049) | 92049-0830 | 2 |
| SEAL (Ref # 92093) | 92093-0743 | 2 |
| SPRING,RETURN,47MM (Ref # 92145) | 92145-1690 | 2 |
| SPRING (Ref # 92145A) | 92145-1905 | 4 |
| BOLT,FLANGED,10X30 (Ref # 92154) | 92154-0543 | 4 |
| BOLT,SOCKET,10X23 (Ref # 92154A) | 92154-0713 | 8 |
| BOLT-FLANGED,6X12 (Ref # 130) | 130CA0612 | 4 |