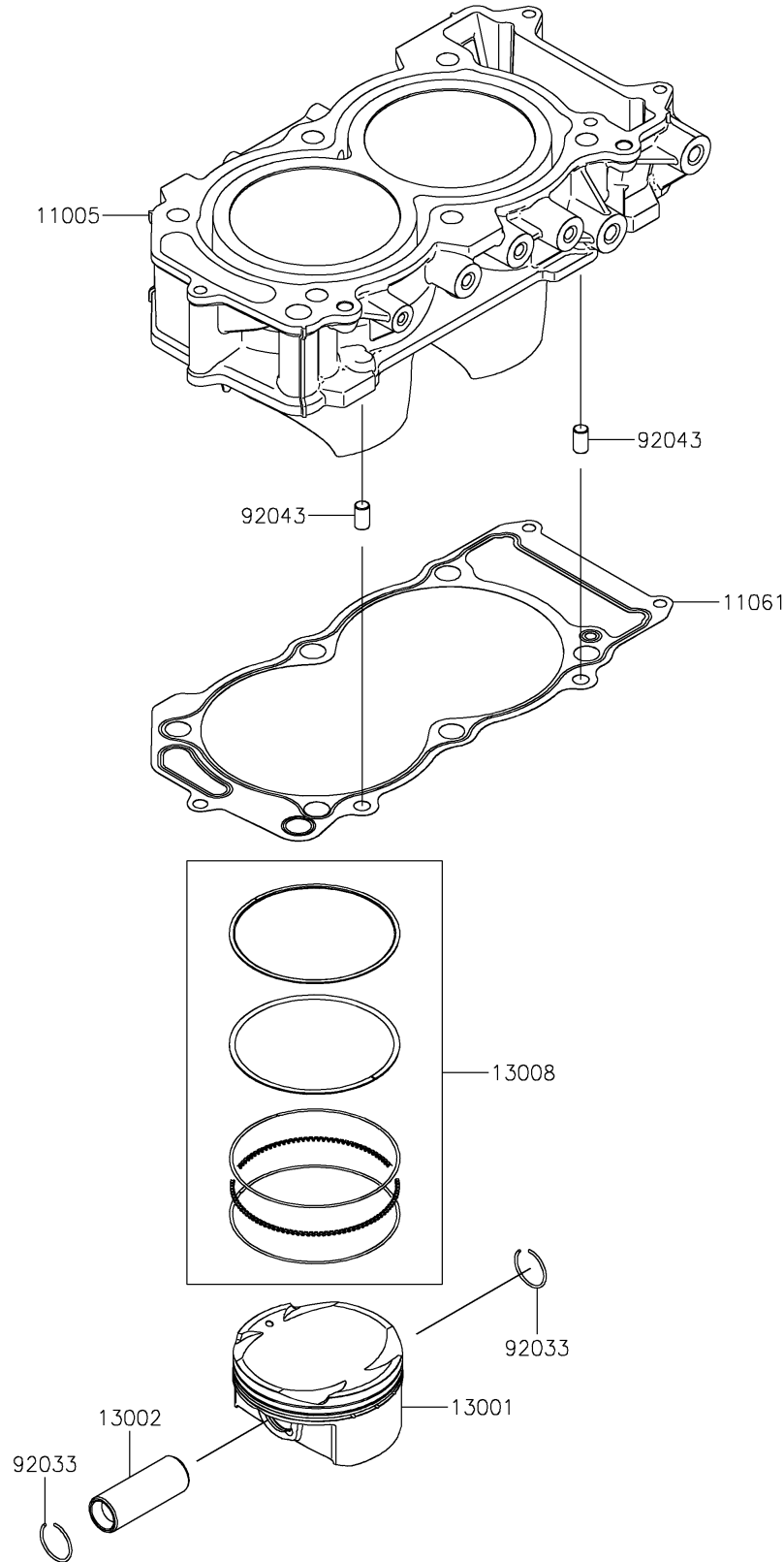


2024 MULE PRO-FX™ 1000 HD Edition PARTS DIAGRAM

Cylinder/Piston(s)

E1120



2024 MULE PRO-FX™ 1000 HD Edition PARTS LIST

Cylinder/Piston(s)

ITEM NAME	PART NUMBER	QUANTITY
CYLINDER-ENGINE (Ref # 11005)	11005-0695	1
GASKET,CYLINDER BASE (Ref # 11061)	11061-1309	1
PISTON-ENGINE (Ref # 13001)	13001-0844	2
PIN-PISTON (Ref # 13002)	13002-0731	2
RING-SET-PISTON (Ref # 13008)	13008-0604	2
RING-SNAP (Ref # 92033)	92033-1188	4
PIN,8X14 (Ref # 92043)	92043-1567	2