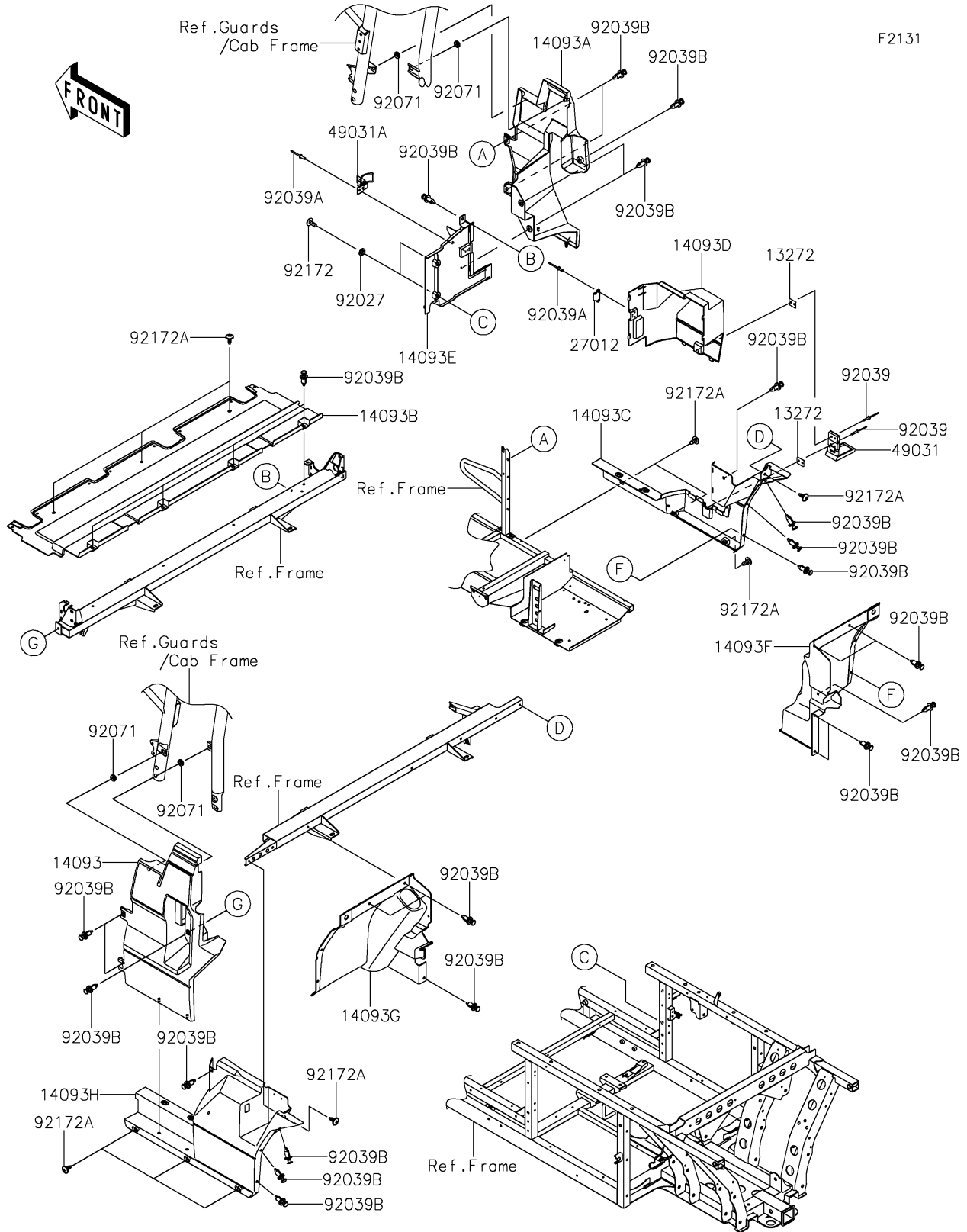


2025 MULE PRO-FX 1000 HD Edition PARTS DIAGRAM

Frame Fittings(Rear)



2025 MULE PRO-FX 1000 HD Edition PARTS LIST

Frame Fittings(Rear)

ITEM NAME	PART NUMBER	QUANTITY
PLATE,LATCH (Ref # 13272)	13272-1828	2
COVER,SIDE,LH,FR,F.BLACK (Ref # 14093)	14093-0167-6Z	1
COVER,SIDE,RH,FR,F.BLACK (Ref # 14093A)	14093-0168-6Z	1
COVER,SEAT,BACK (Ref # 14093B)	14093-0171	1
COVER,SIDE,RH,RR (Ref # 14093C)	14093-0173	1
COVER,SIDE,RH,A/C MAINT. (Ref # 14093D)	14093-0371	1
COVER,SIDE,RH,A/C,FR (Ref # 14093E)	14093-0372	1
COVER,RR,FLOOR,MUD,RH (Ref # 14093F)	14093-0389	1
COVER,RR,FLOOR,MUD,LH (Ref # 14093G)	14093-1198	1
COVER,SIDE,LH,RR (Ref # 14093H)	14093-1199	1
HOOK,STRIKER (Ref # 27012)	27012-0806	1
LATCH,A/C (Ref # 49031)	49031-0007	1
LATCH,TOGGLE (Ref # 49031A)	49031-0015	1
COLLAR,L=4.6 (Ref # 92027)	92027-1168	2
RIVET,3.2X13.4 (Ref # 92039)	92039-0739	4
RIVET (Ref # 92039A)	92039-0747	4
RIVET (Ref # 92039B)	92039-0776	29
GROMMET (Ref # 92071)	92071-056	4
SCREW,6X16 (Ref # 92172)	92172-0236	2
SCREW,6X16 (Ref # 92172A)	92172-0711	11