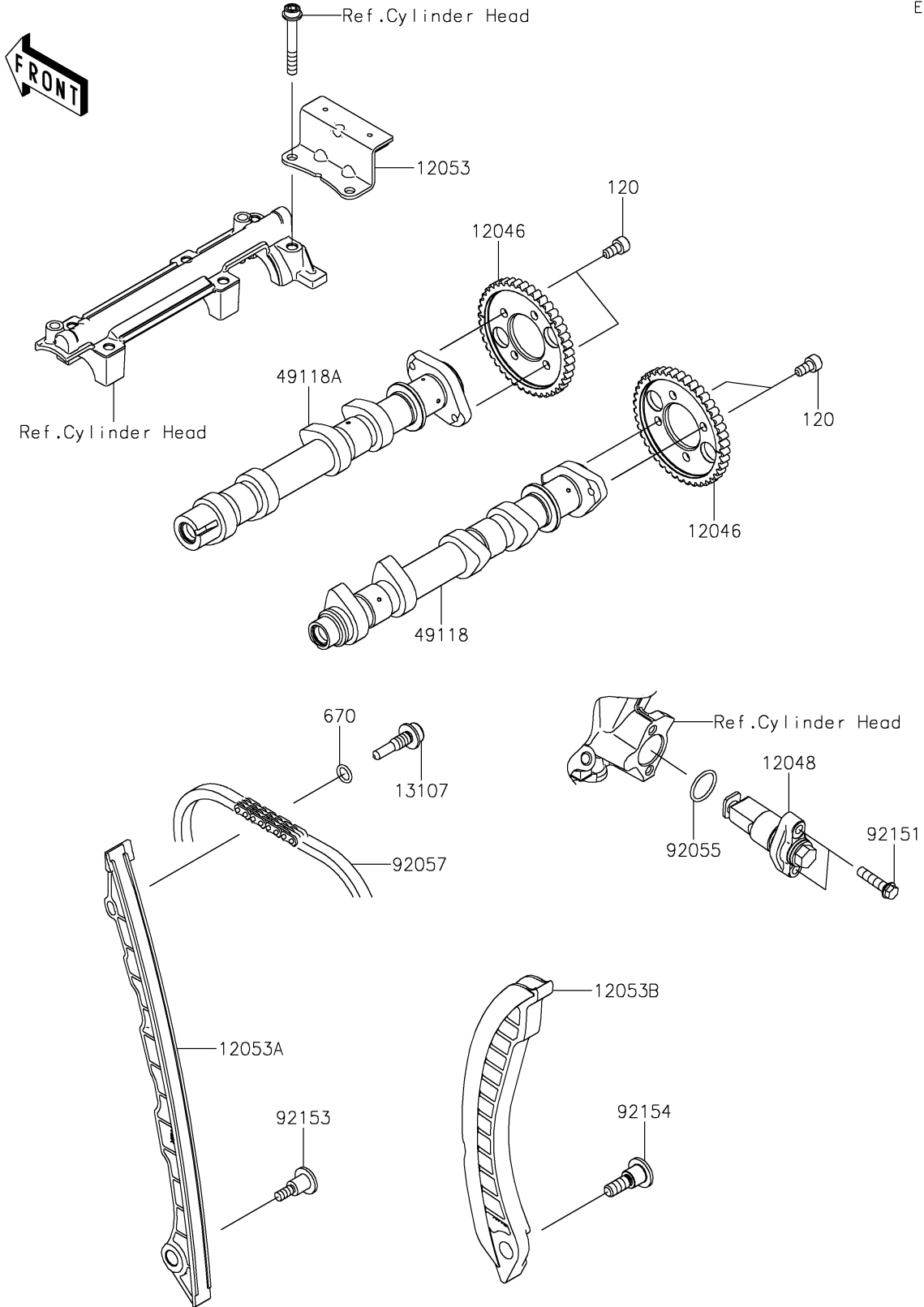


2025 MULE PRO-FXR 1000 PARTS DIAGRAM

Camshaft(s)/Tensioner

E1230



2025 MULE PRO-FXR 1000 PARTS LIST

Camshaft(s)/Tensioner

| ITEM NAME | PART NUMBER | QUANTITY |
|---------------------------------------|-------------|----------|
| SPROCKET,CAM,42T (Ref # 12046) | 12046-0618 | 2 |
| TENSIONER-ASSY (Ref # 12048) | 12048-0102 | 1 |
| GUIDE-CHAIN,UPP (Ref # 12053) | 12053-0278 | 1 |
| GUIDE-CHAIN,FR (Ref # 12053A) | 12053-0279 | 1 |
| GUIDE-CHAIN,RR (Ref # 12053B) | 12053-0280 | 1 |
| SHAFT,CHAIN GUIDE (Ref # 13107) | 13107-0157 | 1 |
| CAMSHAFT-COMP,IN (Ref # 49118) | 49118-1285 | 1 |
| CAMSHAFT-COMP,EX (Ref # 49118A) | 49118-1286 | 1 |
| RING-O,18.8X1.9 (Ref # 92055) | 92055-086 | 1 |
| CHAIN,98XRH2015-148M (Ref # 92057) | 92057-0769 | 1 |
| BOLT,FLANGED-SMALL,6X25 (Ref # 92151) | 92151-1930 | 2 |
| BOLT,SOCKET,6X24.5 (Ref # 92153) | 92153-1200 | 1 |
| BOLT,8X29 (Ref # 92154) | 92154-3930 | 1 |
| BOLT-SOCKET,6X12 (Ref # 120) | 120CA0612 | 4 |
| O RING,9MM (Ref # 670) | 670D1509 | 1 |