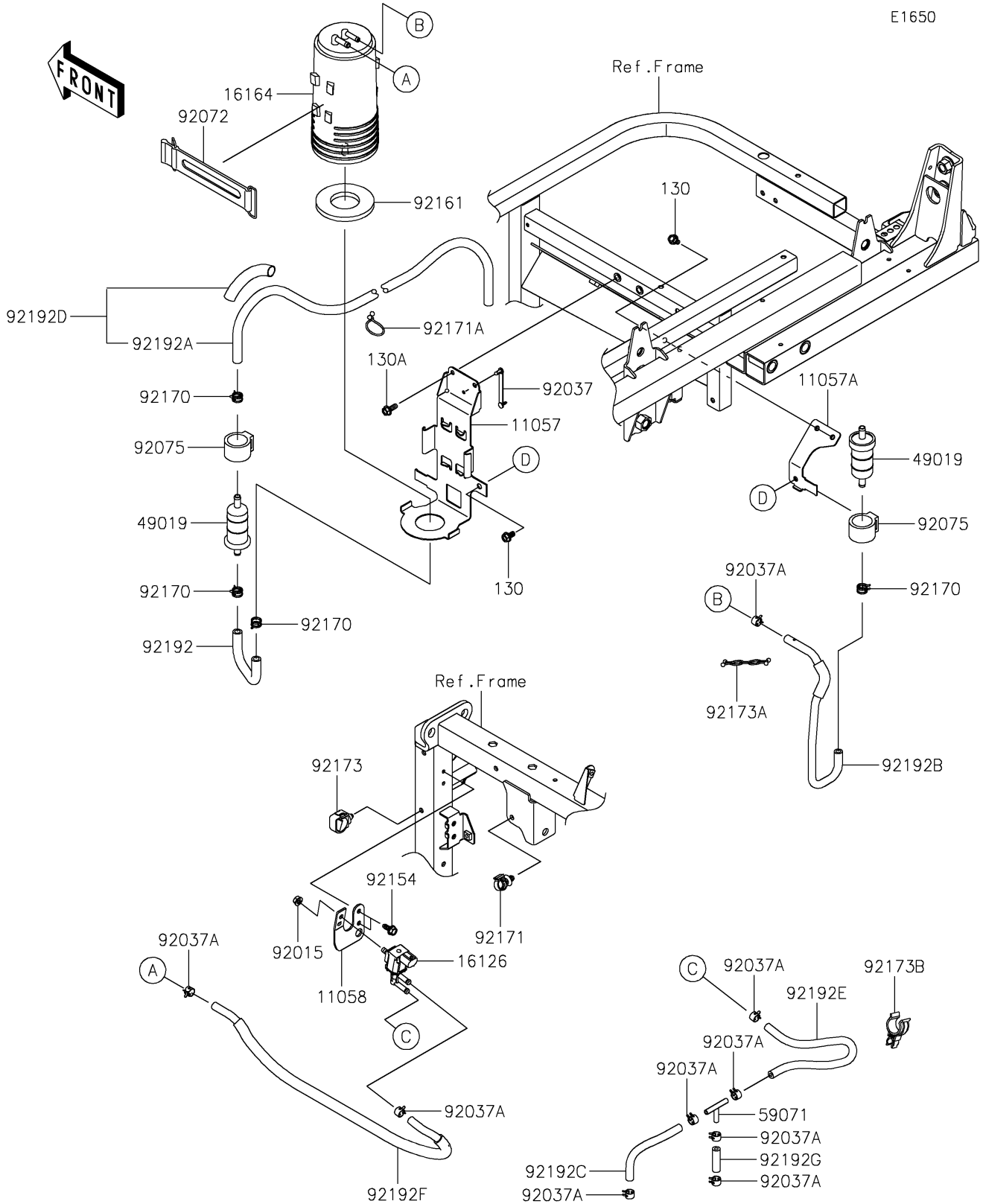


2025 MULE PRO-FXR 1000 PARTS DIAGRAM

Fuel Evaporative System(CA)

E1650



2025 MULE PRO-FXR 1000 PARTS LIST

Fuel Evaporative System(CA)

ITEM NAME	PART NUMBER	QUANTITY
BRACKET,CANISTER (Ref # 11057)	11057-2694	1
BRACKET (Ref # 11057A)	11057-2695	1
BRACKET,SOLENOID VALVE (Ref # 11058)	11058-0324	1
VALVE,SOLENOID (Ref # 16126)	16126-0705	1
CANISTER (Ref # 16164)	16164-0016	1
FILTER-FUEL (Ref # 49019)	49019-0032	2
JOINT (Ref # 59071)	59071-3705	1
NUT,FLANGED,6MM (Ref # 92015)	92015-1367	1
CLAMP,SPEED,L=58 (Ref # 92037)	92037-1163	1
CLAMP (Ref # 92037A)	92037-2113	9
BAND,L=168 (Ref # 92072)	92072-1306	1
DAMPER,FUEL FILTER (Ref # 92075)	92075-1853	2
BOLT,6X15.6 (Ref # 92154)	92154-1250	2
DAMPER (Ref # 92161)	92161-1843	1
CLAMP (Ref # 92170)	92170-2082	4
CLAMP (Ref # 92171)	92171-0453	1
CLAMP (Ref # 92171A)	92171-1185	1
CLAMP (Ref # 92173)	92173-0861	1
CLAMP (Ref # 92173A)	92173-2284	1
CLAMP (Ref # 92173B)	92173-2563	1
TUBE,FILTER-CANISTER (Ref # 92192)	92192-1665	1
TUBE,AIR-FUEL FILTER (Ref # 92192A)	92192-1900	1
TUBE,FILTER-CANISTER (Ref # 92192B)	92192-2252	1
TUBE,INTAKE-MANIFOLD #2 (Ref # 92192C)	92192-2634	1
TUBE,AIR-FILTER (Ref # 92192D)	92192-2635	1
TUBE,SOLENOID VALVE (Ref # 92192E)	92192-2637	1
TUBE,CANISTER-VALVE (Ref # 92192F)	92192-2642	1
TUBE,INTAKE-MANIFOLD #1 (Ref # 92192G)	92192-2734	1
BOLT-FLANGED,6X12 (Ref # 130)	130BA0612	3

2025 MULE PRO-FXR 1000 PARTS LIST

Fuel Evaporative System(CA)

ITEM NAME	PART NUMBER	QUANTITY
BOLT-FLANGED,6X16 (Ref # 130A)	130BA0616	2