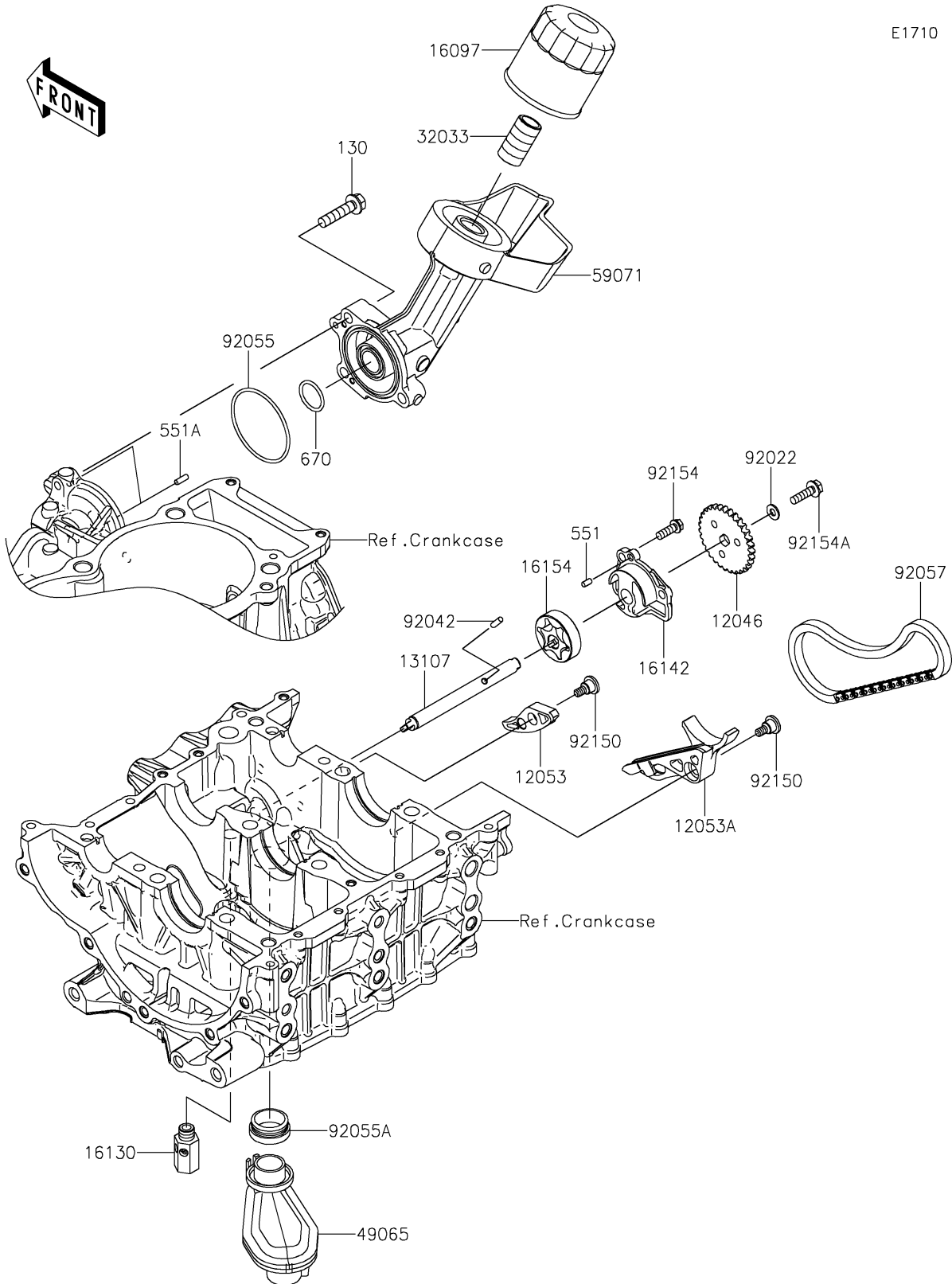


2024 MULE PRO-FXR™ 1000 LE PARTS DIAGRAM

Oil Pump/Oil Filter

E1710



2024 MULE PRO-FXR™ 1000 LE PARTS LIST

Oil Pump/Oil Filter

| ITEM NAME | PART NUMBER | QUANTITY |
|-------------------------------------|-------------|----------|
| SPROCKET,OIL PUMP,31T (Ref # 12046) | 12046-0614 | 1 |
| GUIDE-CHAIN,UPP (Ref # 12053) | 12053-0276 | 1 |
| GUIDE-CHAIN,LWR (Ref # 12053A) | 12053-0296 | 1 |
| SHAFT,OIL PUMP (Ref # 13107) | 13107-0896 | 1 |
| FILTER-ASSY-OIL (Ref # 16097) | 16097-0007 | 1 |
| VALVE-ASSY-RELIEF (Ref # 16130) | 16130-1058 | 1 |
| COVER-PUMP (Ref # 16142) | 16142-0774 | 1 |
| ROTOR-PUMP (Ref # 16154) | 16154-0779 | 1 |
| PIPE,OIL FILTER (Ref # 32033) | 32033-1535 | 1 |
| FILTER-OIL (Ref # 49065) | 49065-0729 | 1 |
| JOINT,OIL FILTER (Ref # 59071) | 59071-0800 | 1 |
| WASHER,6X12.8X1.2 (Ref # 92022) | 92022-1827 | 1 |
| PIN,DOWEL,4X13.8 (Ref # 92042) | 92042-030 | 1 |
| RING-O,59.5X2.4 (Ref # 92055) | 92055-0753 | 1 |
| RING-O,OIL FILTER (Ref # 92055A) | 92055-1503 | 1 |
| CHAIN,98XRH2010-70M (Ref # 92057) | 92057-0765 | 1 |
| BOLT,6MM (Ref # 92150) | 92150-1090 | 2 |
| BOLT,FLANGED,6X18 (Ref # 92154) | 92154-0499 | 3 |
| BOLT,FLANGED,6X22 (Ref # 92154A) | 92154-1525 | 1 |
| BOLT-FLANGED,8X35 (Ref # 130) | 130BA0835 | 3 |
| PIN-DOWEL,4X8 (Ref # 551) | 551A0408 | 1 |
| PIN-DOWEL (Ref # 551A) | 551A0412 | 2 |
| O RING,22MM (Ref # 670) | 670D2022 | 1 |