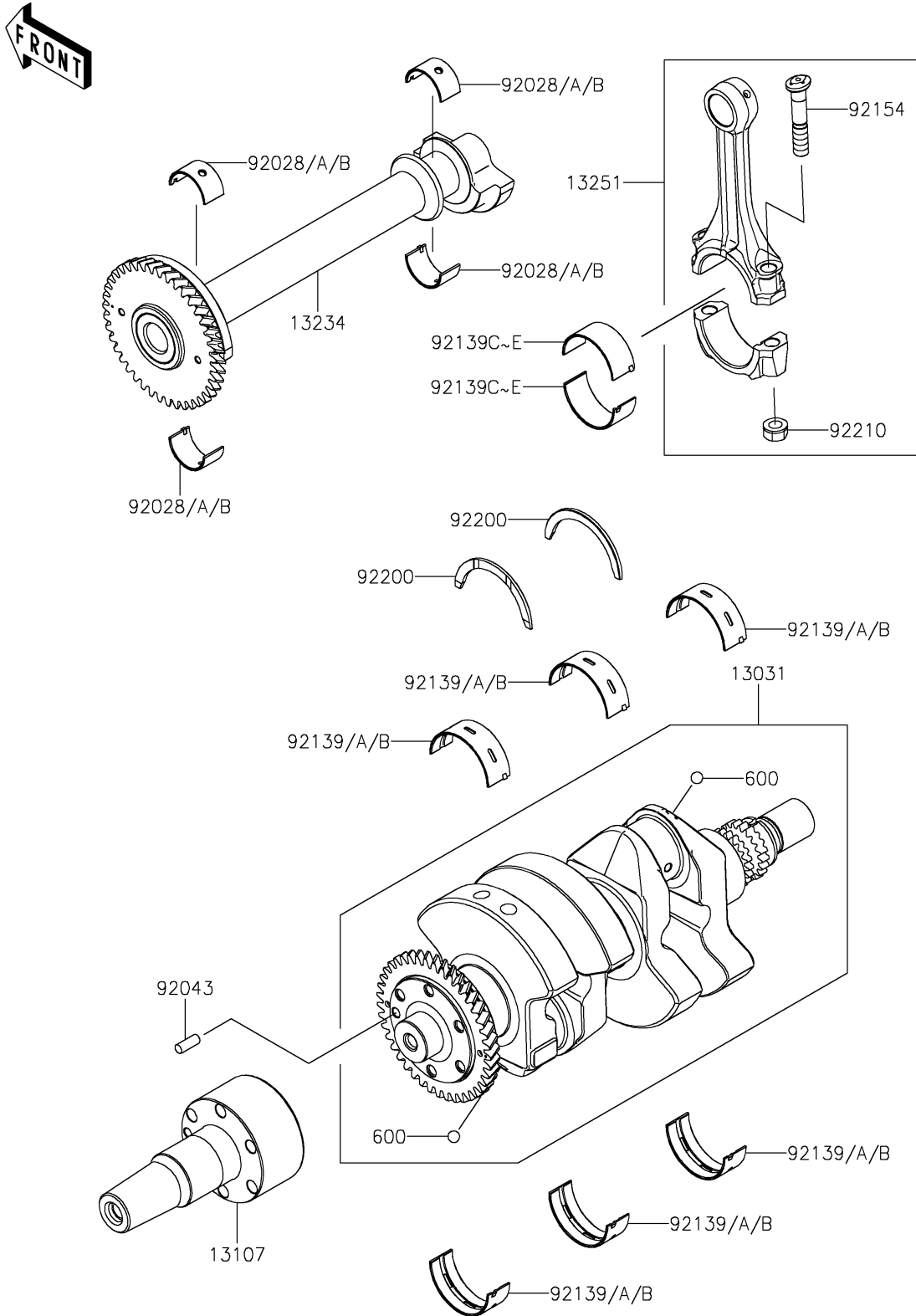


2025 MULE PRO-FXT 1000 LE PARTS DIAGRAM

Crankshaft

E1321



2025 MULE PRO-FXT 1000 LE PARTS LIST

Crankshaft

| ITEM NAME | PART NUMBER | QUANTITY |
|---|---------------|----------|
| CRANKSHAFT-COMP (Ref # 13031) | 13031-1531 | 1 |
| SHAFT, CONVERTER-DRIVE (Ref # 13107) | 13107-0982 | 1 |
| SHAFT-COMP, BALANCER (Ref # 13234) | 13234-0611 | 1 |
| ROD-ASSY-CONNECTING, J (Ref # 13251) | 13251-0749-JJ | 2 |
| BUSHING, BALANCER SHAFT, BLUE (Ref # 92028) | 92028-1909 | 4 |
| BUSHING, BALANCER SHAFT, BLACK (Ref # 92028A) | 92028-1910 | AR |
| BUSHING, BALANCER SHAFT, BROWN (Ref # 92028B) | 92028-1911 | AR |
| PIN, 6X16 (Ref # 92043) | 92043-1690 | 1 |
| BUSHING, CRANKSHAFT, BLUE (Ref # 92139) | 92139-0925 | 6 |
| BUSHING, CRANKSHAFT, BLACK (Ref # 92139A) | 92139-0926 | AR |
| BUSHING, CRANKSHAFT, BROWN (Ref # 92139B) | 92139-0927 | AR |
| BUSHING, CONNECTING ROD, BLUE (Ref # 92139C) | 92139-1197 | 4 |
| BUSHING, CONNECTING ROD, BLACK (Ref # 92139D) | 92139-1198 | AR |
| BUSHING, CONNECTING ROD, BROWN (Ref # 92139E) | 92139-1199 | AR |
| BOLT, CONNECTING ROD (Ref # 92154) | 92154-3911 | 4 |
| WASHER, THRUST, T=2.5 (Ref # 92200) | 92200-2242 | 2 |
| NUT, FLANGED, 9MM (Ref # 92210) | 92210-1673 | 4 |
| BALL-STEEL, 11/32 (Ref # 600) | 600A1100 | 2 |