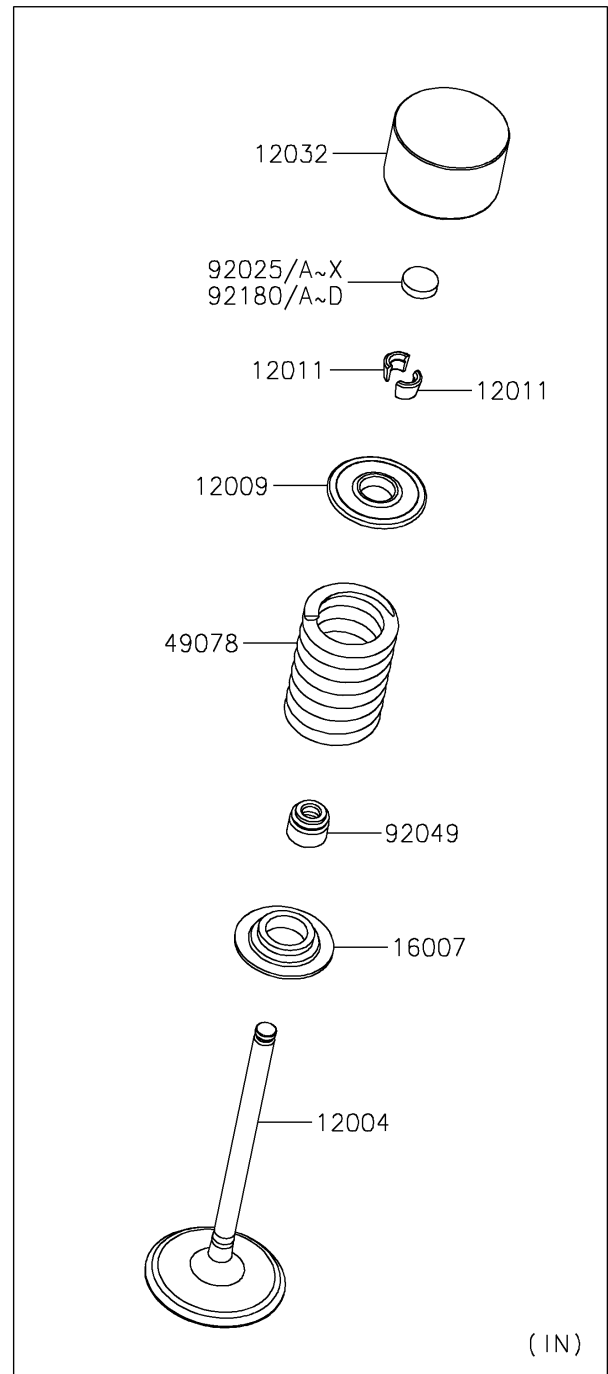
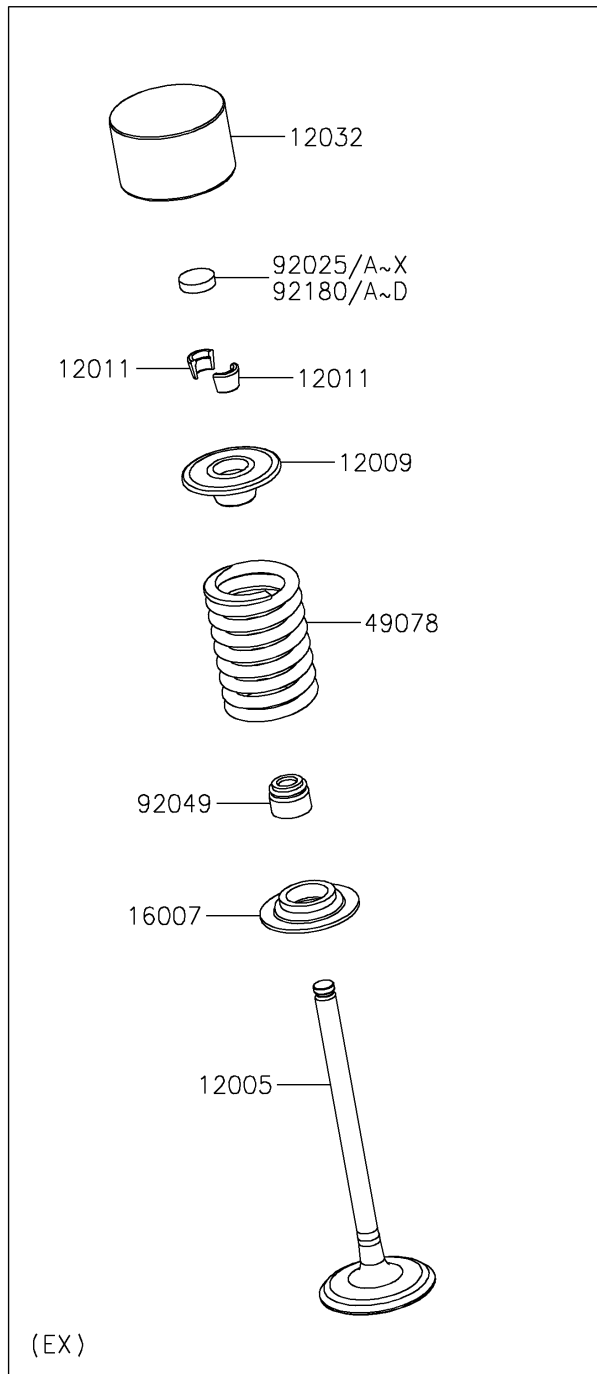


# 2025 MULE PRO-FXT 1000 LE Ranch Edition PARTS DIAGRAM

Valve(s)

E1210



## 2025 MULE PRO-FXT 1000 LE Ranch Edition PARTS LIST

Valve(s)

| ITEM NAME                           | PART NUMBER | QUANTITY |
|-------------------------------------|-------------|----------|
| VALVE-INTAKE (Ref # 12004)          | 12004-0777  | 4        |
| VALVE-EXHAUST (Ref # 12005)         | 12005-0801  | 4        |
| RETAINER-VALVE SPRING (Ref # 12009) | 12009-0042  | 8        |
| COLLET (Ref # 12011)                | 12011-1003  | 16       |
| TAPPET (Ref # 12032)                | 12032-0030  | 8        |
| SEAT-SPRING (Ref # 16007)           | 16007-0753  | 8        |
| SPRING-ENGINE VALVE (Ref # 49078)   | 49078-0799  | 8        |
| SHIM,T=2.00 (Ref # 92025)           | 92025-1870  | AR       |
| SHIM,T=2.05 (Ref # 92025A)          | 92025-1871  | AR       |
| SHIM,T=2.10 (Ref # 92025B)          | 92025-1872  | AR       |
| SHIM,T=2.15 (Ref # 92025C)          | 92025-1873  | AR       |
| SHIM,T=2.20 (Ref # 92025D)          | 92025-1874  | AR       |
| SHIM,T=2.25 (Ref # 92025E)          | 92025-1875  | AR       |
| SHIM,T=2.30 (Ref # 92025F)          | 92025-1876  | AR       |
| SHIM,T=2.35 (Ref # 92025G)          | 92025-1877  | AR       |
| SHIM,T=2.40 (Ref # 92025H)          | 92025-1878  | AR       |
| SHIM,T=2.45 (Ref # 92025I)          | 92025-1879  | AR       |
| SHIM,T=2.50 (Ref # 92025J)          | 92025-1880  | 8        |
| SHIM,T=2.55 (Ref # 92025K)          | 92025-1881  | AR       |
| SHIM,T=2.60 (Ref # 92025L)          | 92025-1882  | AR       |
| SHIM,T=2.65 (Ref # 92025M)          | 92025-1883  | AR       |
| SHIM,T=2.70 (Ref # 92025N)          | 92025-1884  | AR       |
| SHIM,T=2.75 (Ref # 92025O)          | 92025-1885  | AR       |
| SHIM,T=2.80 (Ref # 92025P)          | 92025-1886  | AR       |
| SHIM,T=2.85 (Ref # 92025Q)          | 92025-1887  | AR       |
| SHIM,T=2.90 (Ref # 92025R)          | 92025-1888  | AR       |
| SHIM,T=2.95 (Ref # 92025S)          | 92025-1889  | AR       |
| SHIM,T=3.00 (Ref # 92025T)          | 92025-1890  | AR       |
| SHIM,T=2.425 (Ref # 92025U)         | 92025-1982  | AR       |

## 2025 MULE PRO-FXT 1000 LE Ranch Edition PARTS LIST

Valve(s)

| ITEM NAME                               | PART NUMBER | QUANTITY |
|---|-------------|----------|
| SHIM,T=2.475 (Ref # 92025V)             | 92025-1983  | AR       |
| SHIM,T=2.525 (Ref # 92025W)             | 92025-1984  | AR       |
| SHIM,T=2.575 (Ref # 92025X)             | 92025-1985  | AR       |
| SEAL-OIL,RVC2-5.5X8.5X8.3 (Ref # 92049) | 92049-1062  | 8        |
| SHIM,T=2.375 (Ref # 92180)              | 92180-1058  | AR       |
| SHIM,T=2.625 (Ref # 92180A)             | 92180-1059  | AR       |
| SHIM,T=2.675 (Ref # 92180B)             | 92180-1194  | AR       |
| SHIM,T=2.725 (Ref # 92180C)             | 92180-1195  | AR       |
| SHIM,T=2.775 (Ref # 92180D)             | 92180-1196  | AR       |