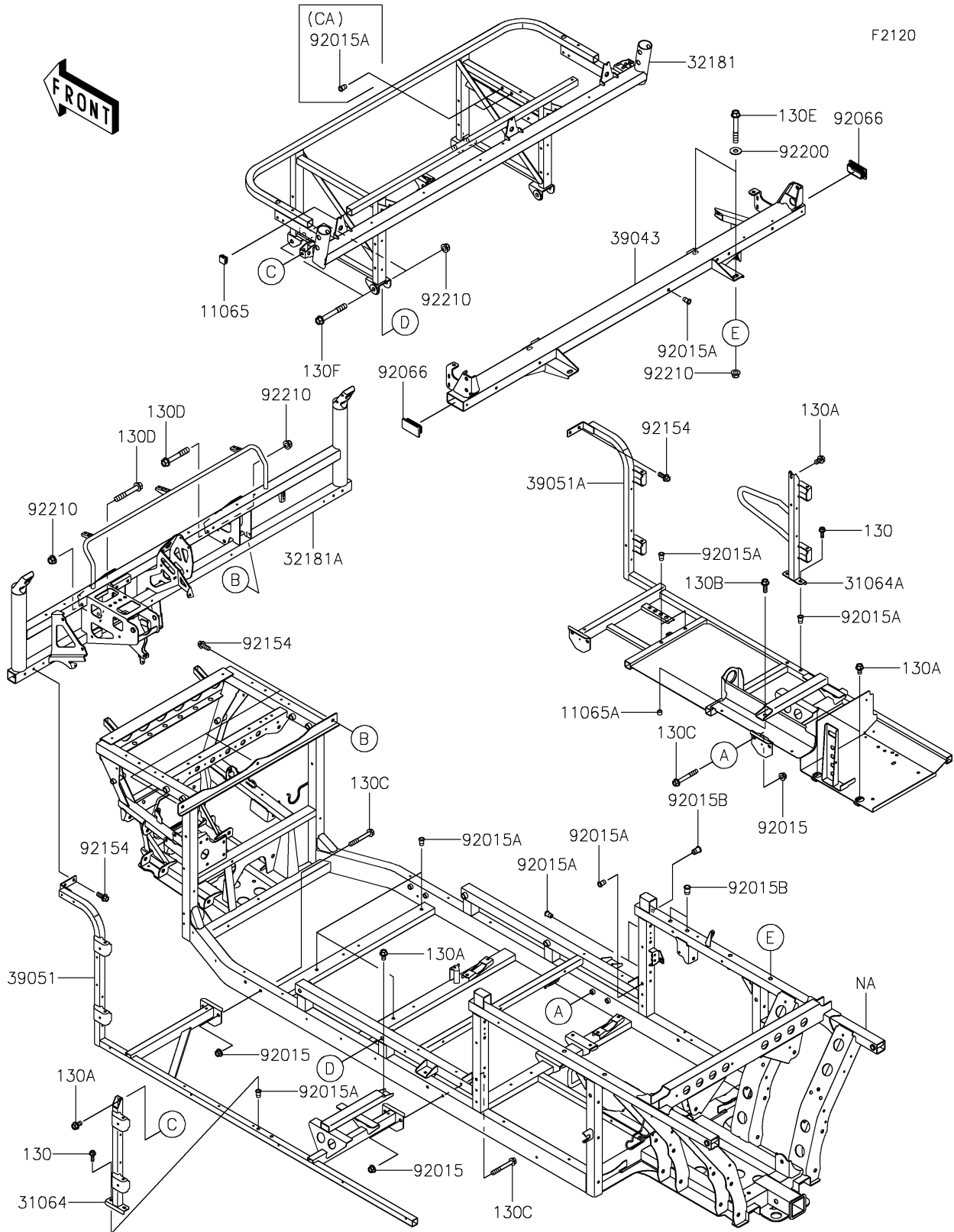


# 2024 MULE PRO-FXT™ 1000 LE RANCH EDITION PARTS DIAGRAM

Frame



## 2024 MULE PRO-FXT™ 1000 LE RANCH EDITION PARTS LIST

### Frame

| ITEM NAME                                 | PART NUMBER | QUANTITY |
|---|-------------|----------|
| CAP (Ref # 11065)                         | 11065-0901  | 1        |
| CAP (Ref # 11065A)                        | 11065-7504  | 1        |
| PIPE-COMP,RR DOOR HINGE,LH (Ref # 31064)  | 31064-0704  | 1        |
| PIPE-COMP,RR DOOR HINGE,RH (Ref # 31064A) | 31064-0705  | 1        |
| FRAME-SUB-COMP,SEAT (Ref # 32181)         | 32181-0047  | 1        |
| FRAME-SUB-COMP,DASH PANEL (Ref # 32181A)  | 32181-0048  | 1        |
| CROSSMEMBER-COMP,C PILLAR (Ref # 39043)   | 39043-0039  | 1        |
| FRAME-COMP-SIDE,LH (Ref # 39051)          | 39051-0011  | 1        |
| FRAME-COMP-SIDE,RH (Ref # 39051A)         | 39051-0013  | 1        |
| NUT,8MM (Ref # 92015)                     | 92015-1432  | 8        |
| NUT,POP,6MM,L=15 (Ref # 92015A)           | 92015-1791  | 15       |
| NUT,POP,8MM,L=16.5 (Ref # 92015B)         | 92015-1793  | 3        |
| PLUG (Ref # 92066)                        | 92066-7505  | 2        |
| BOLT,FLANGED,8X20 (Ref # 92154)           | 92154-1226  | 7        |
| WASHER,10.5X25X1.6 (Ref # 92200)          | 92200-1595  | 4        |
| NUT,LOCK,FLANGED,10MM (Ref # 92210)       | 92210-0276  | 12       |
| BOLT-FLANGED,6X18 (Ref # 130)             | 130BA0618   | 4        |
| BOLT-FLANGED,8X14 (Ref # 130A)            | 130BA0814   | 5        |
| BOLT-FLANGED,8X22 (Ref # 130B)            | 130BA0822   | 1        |
| BOLT-FLANGED,8X60 (Ref # 130C)            | 130BA0860   | 8        |
| BOLT-FLANGED,10X65 (Ref # 130D)           | 130BA1065   | 4        |
| BOLT-FLANGED,10X70 (Ref # 130E)           | 130BA1070   | 4        |
| BOLT-FLANGED,10X75 (Ref # 130F)           | 130CA1075   | 4        |
| NUT,POP,6MM,L=15 (Ref # 92015A)           | 92015-1791  | 13       |