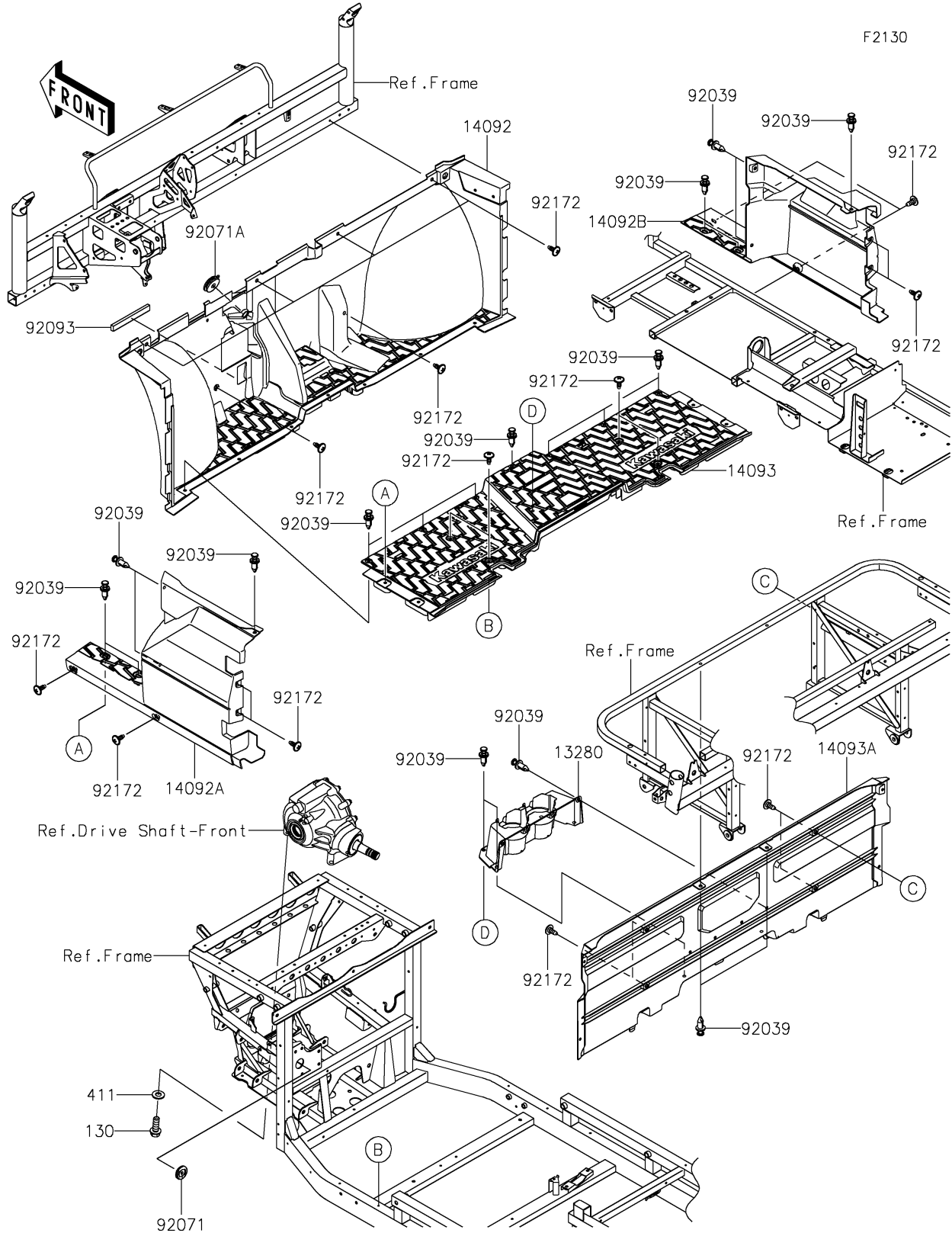


2024 MULE PRO-FXT™ 1000 LE RANCH EDITION PARTS DIAGRAM

Frame Fittings(Front)



2024 MULE PRO-FXT™ 1000 LE RANCH EDITION PARTS LIST

Frame Fittings(Front)

| ITEM NAME | PART NUMBER | QUANTITY |
|----------------------------------|-------------|----------|
| HOLDER (Ref # 13280) | 13280-1352 | 1 |
| COVER,FR FLOOR (Ref # 14092) | 14092-1184 | 1 |
| COVER,SIDE,LH,FR (Ref # 14092A) | 14092-1188 | 1 |
| COVER,SIDE,RH,FR (Ref # 14092B) | 14092-1189 | 1 |
| COVER,FLOOR,BOTTOM (Ref # 14093) | 14093-1426 | 1 |
| COVER,FR SEAT (Ref # 14093A) | 14093-1427 | 1 |
| RIVET (Ref # 92039) | 92039-0776 | 27 |
| GROMMET,9X45X9 (Ref # 92071) | 92071-0728 | 1 |
| GROMMET,8X22X8 (Ref # 92071A) | 92071-0753 | 1 |
| SEAL,10X20X165 (Ref # 92093) | 92093-0617 | 1 |
| SCREW,6X16 (Ref # 92172) | 92172-0711 | 22 |
| BOLT-FLANGED,12X35 (Ref # 130) | 130CA1235 | 4 |
| WASHER-PLAIN,12MM (Ref # 411) | 411AA1200 | 4 |