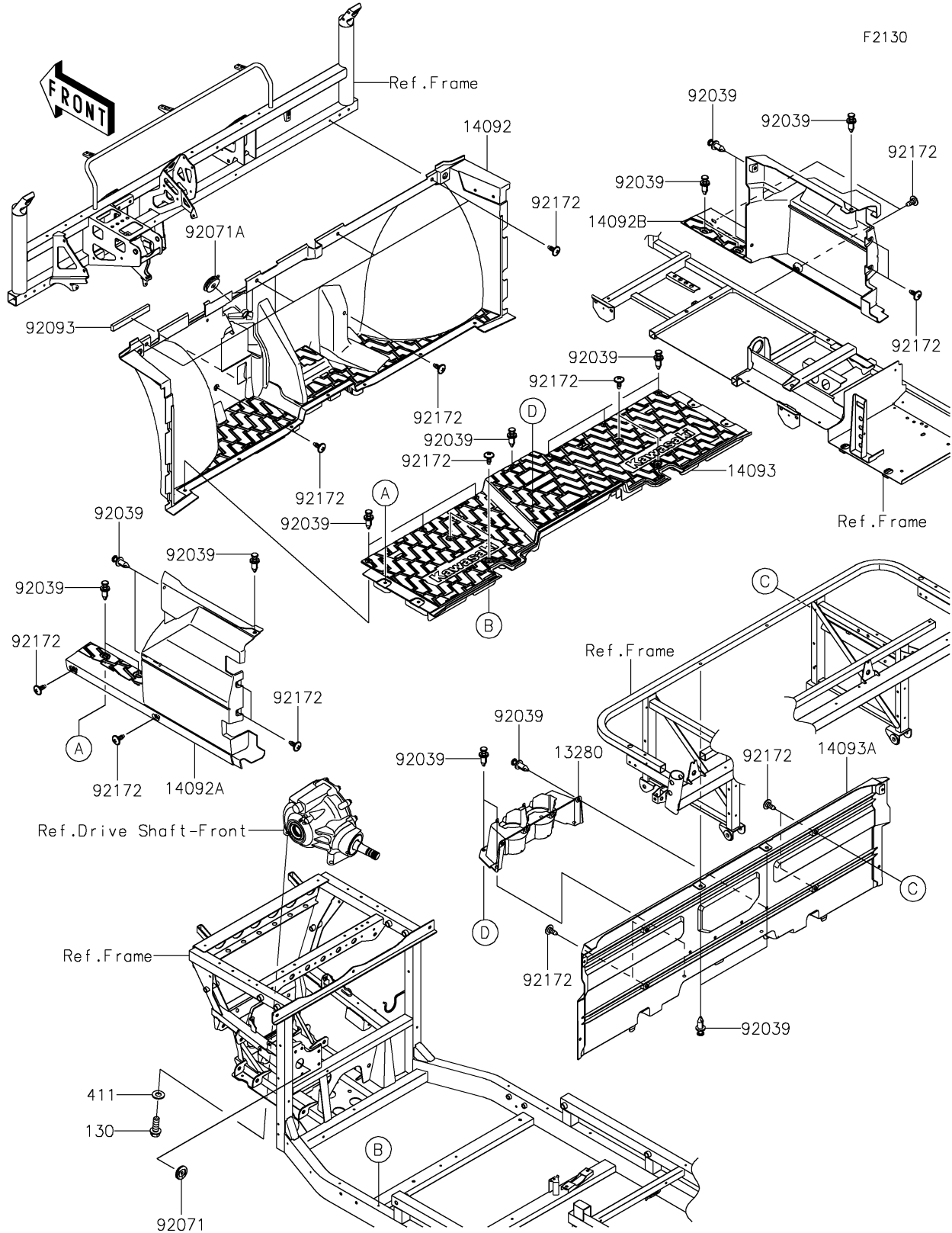


2025 MULE PRO-FXT 1000 LE Ranch Edition PARTS DIAGRAM

Frame Fittings(Front)



2025 MULE PRO-FXT 1000 LE Ranch Edition PARTS LIST

Frame Fittings(Front)

ITEM NAME	PART NUMBER	QUANTITY
HOLDER (Ref # 13280)	13280-1352	1
COVER,FR FLOOR (Ref # 14092)	14092-1184	1
COVER,SIDE,LH,FR (Ref # 14092A)	14092-1188	1
COVER,SIDE,RH,FR (Ref # 14092B)	14092-1189	1
COVER,FLOOR,BOTTOM (Ref # 14093)	14093-1426	1
COVER,FR SEAT (Ref # 14093A)	14093-1427	1
RIVET (Ref # 92039)	92039-0776	27
GROMMET,9X45X9 (Ref # 92071)	92071-0728	1
GROMMET,8X22X8 (Ref # 92071A)	92071-0753	1
SEAL,10X20X165 (Ref # 92093)	92093-0617	1
SCREW,6X16 (Ref # 92172)	92172-0711	22
BOLT-FLANGED,12X35 (Ref # 130)	130CA1235	4
WASHER-PLAIN,12MM (Ref # 411)	411AA1200	4