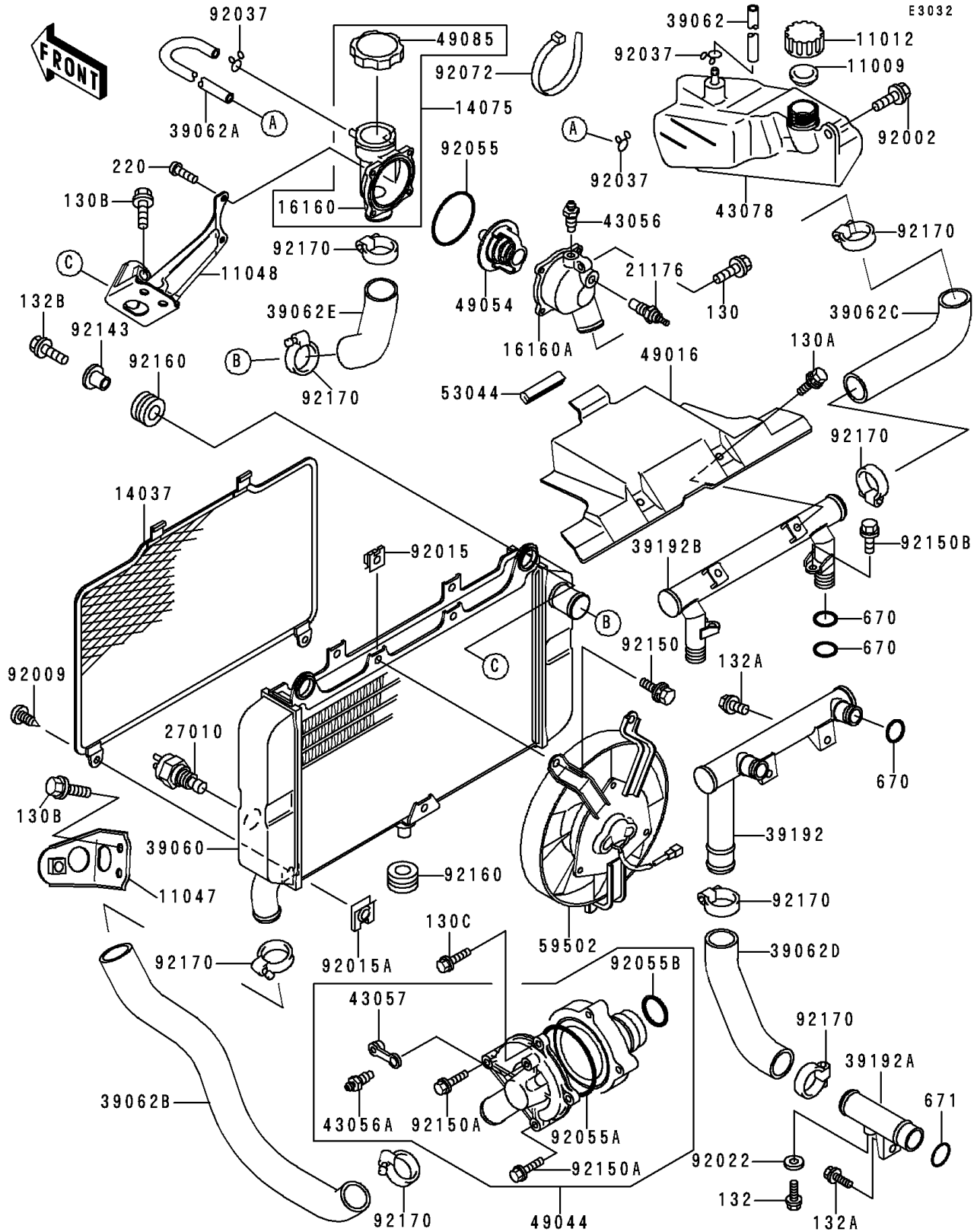


1995 Ninja® ZX™ -6 PARTS DIAGRAM

Radiator



1995 Ninja® ZX™ -6 PARTS LIST

Radiator

ITEM NAME	PART NUMBER	QUANTITY
GASKET,RESERVOIR TANK CAP (Ref # 11009)	11009-1145	1
CAP (Ref # 11012)	11012-1084	1
BRACKET,RADIATOR,UPP,LH (Ref # 11047)	11047-1925	1
BRACKET,THERMOSTAT BODY (Ref # 11048)	11048-1269	1
SCREEN,RADIATOR (Ref # 14037)	14037-1171	1
CAP-ASSY (Ref # 14075)	14075-1068	1
BODY,THERMOSTAT,UPP (Ref # 16160)	16160-1116	1
BODY,THERMOSTAT,LWR (Ref # 16160A)	16160-1117	1
SENSOR,WATER (Ref # 21176)	21176-1054	1
SWITCH,FAN (Ref # 27010)	27010-1202	1
RADIATOR (Ref # 39060)	39060-1115	1
HOSE-COOLING (Ref # 39062)	39062-1075	1
HOSE-COOLING,RESERVOIR (Ref # 39062A)	39062-1285	1
HOSE-COOLING,RADIATOR-PUMP (Ref # 39062B)	39062-1526	1
HOSE-COOLING,HEAD-THERMOSTAT (Ref # 39062C)	39062-1528	1
HOSE-COOLING,PUMP-CYLINDER (Ref # 39062D)	39062-1546	1
HOSE-COOLING,THERMO-RADIATOR (Ref # 39062E)	39062-1547	1
PIPE-WATER (Ref # 39192)	39192-1033	1
PIPE-WATER (Ref # 39192A)	39192-1034	1
PIPE-WATER (Ref # 39192B)	39192-1039	1
BREATHER (Ref # 43056)	43056-003	1
BREATHER-BRAKE (Ref # 43056A)	43056-1051	1
CAP-BREATHER (Ref # 43057)	43057-1001	1
RESERVOIR (Ref # 43078)	43078-1135	1
COVER-SEAL,HEAT (Ref # 49016)	49016-1161	1
PUMP-WATER (Ref # 49044)	49044-1067	1
THERMOSTAT (Ref # 49054)	49054-1051	1
CAP-ASSY-PRESSURE (Ref # 49085)	49085-1067	1
TRIM (Ref # 53044)	53044-1174	1

1995 Ninja® ZX™-6 PARTS LIST

Radiator

ITEM NAME	PART NUMBER	QUANTITY
FAN-ASSY (Ref # 59502)	59502-1094	1
BOLT,6X16 (Ref # 92002)	92002-1720	2
SCREW,TAPPING,6X16 (Ref # 92009)	92009-1436	2
NUT (Ref # 92015)	92015-1487	3
NUT,6MM (Ref # 92015A)	92015-1758	2
WASHER,6.2X11X1 (Ref # 92022)	92022-304	1
CLAMP,TUBE (Ref # 92037)	92037-147	3
RING-O,53.5X2.6 (Ref # 92055)	92055-112	1
RING-O,WATER PUMP INSIDE (Ref # 92055A)	92055-1423	1
RING-O,33.2X2.4 (Ref # 92055B)	92055-1424	1
BAND,L=185 (Ref # 92072)	92072-1195	1
BOLT-FLANGED,6X12 (Ref # 130)	130G0612	1
BOLT-FLANGED,6X12 (Ref # 130A)	130H0612	2
BOLT-FLANGED,6X18 (Ref # 130B)	130J0618	4
BOLT-FLANGED (Ref # 130C)	130Y0640	2
BOLT-FLANGED-SMALL,6X10 (Ref # 132)	132J0610	1
BOLT-FLANGED-SMALL (Ref # 132A)	132J0612	3
BOLT-FLANGED-SMALL (Ref # 132B)	132J0830	2
SCREW-PAN-CROS,5X14 (Ref # 220)	220D0514	4
O RING,16MM (Ref # 670)	670B2016	6
O RING,25MM (Ref # 671)	671B2525	1
COLLAR (Ref # 92143)	92143-1450	2
BOLT,6X12 (Ref # 92150)	92150-1186	3
BOLT,6X22 (Ref # 92150A)	92150-1379	2
BOLT,6X12 (Ref # 92150B)	92150-1841	2
DAMPER (Ref # 92160)	92160-1007	3
CLAMP,COOLING HOSE (Ref # 92170)	92170-1284	8