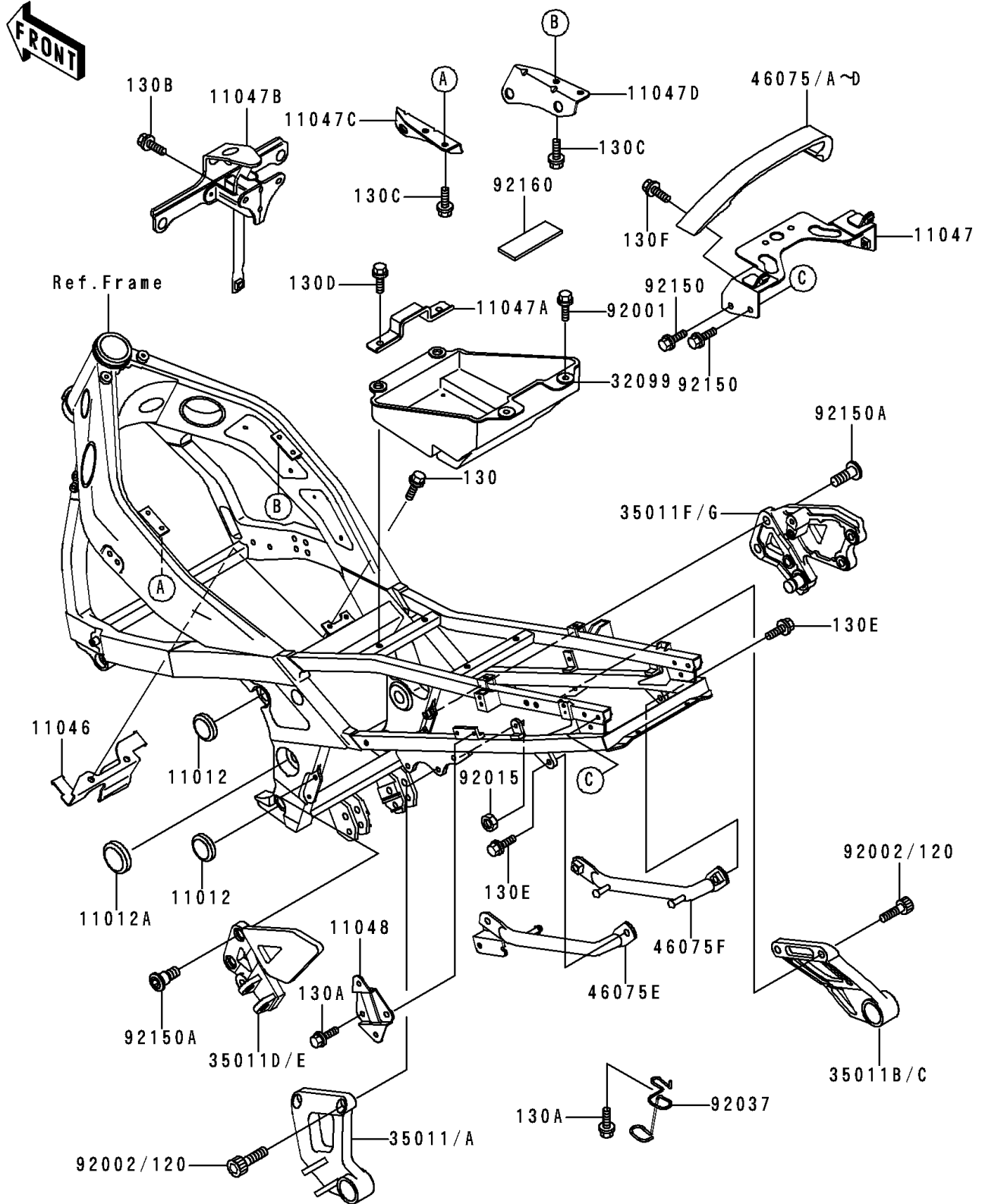


1994 Ninja® ZX™ -6 PARTS DIAGRAM

Battery Case

F2132



1994 Ninja® ZX™ -6 PARTS LIST

Battery Case

ITEM NAME	PART NUMBER	QUANTITY
CAP (Ref # 11012)	11012-1460	4
CAP (Ref # 11012A)	11012-1657	2
BRACKET,FUEL PUMP (Ref # 11046)	11046-1987	1
BRACKET,TAIL GRIP (Ref # 11047)	11047-1923	1
BRACKET,STORAGE CASE (Ref # 11047A)	11047-1924	1
BRACKET,OIL COOLER (Ref # 11047B)	11047-1927	1
BRACKET,IGNITION COIL,LH (Ref # 11047C)	11047-1928	1
BRACKET,IGNITION COIL,RH (Ref # 11047D)	11047-1929	1
BRACKET,REGULATOR (Ref # 11048)	11048-1206	1
CASE,STORAGE (Ref # 32099)	32099-1142	1
GRIP,TAIL,EBONY (Ref # 46075A)	46075-1103-H8	1
GRIP,TAIL,L.GREEN (Ref # 46075D)	46075-1103-7F	1
GRIP,FRAME,LH (Ref # 46075E)	46075-1105	1
GRIP,FRAME,RH (Ref # 46075F)	46075-1106	1
BOLT,6X20 (Ref # 92001)	92001-1826	2
BOLT,SOCKET,8X25 (Ref # 92002)	92002-1442	4
NUT,FLANGED,8MM,BLACK (Ref # 92015)	92015-1183	4
CLAMP,HOSE (Ref # 92037)	92037-1875	1
BOLT,6X30 (Ref # 92150)	92150-1694	4
BOLT,SOCKET,8X20 (Ref # 92150A)	92150-1839	4
BOLT-FLANGED (Ref # 130)	130D0612	2
BOLT-FLANGED (Ref # 130A)	130J0610	3
BOLT-FLANGED,6X14,BLACK (Ref # 130B)	130J0614	2
BOLT-FLANGED,6X16,BLACK (Ref # 130C)	130J0616	4
BOLT-FLANGED (Ref # 130D)	130J0620	2
BOLT-FLANGED,8X20 (Ref # 130E)	130J0820	4
BOLT-FLANGED,8X25,BLACK (Ref # 130F)	130J0825	2
DAMPER,BATTERY (Ref # 92160)	92160-1094	1
STAY,RR,LH,SILVER NO.35 (Ref # 35011)	35011-1629-TX	1

1994 Ninja® ZX™ -6 PARTS LIST

Battery Case

ITEM NAME	PART NUMBER	QUANTITY
STAY,RR,LH,SILVER NO.35 (Ref # 35011A)	35011-1629-VZ	1
STAY,RR,RH,SILVER NO.35 (Ref # 35011B)	35011-1630-TX	1
STAY,RR,RH,SILVER NO.35 (Ref # 35011C)	35011-1630-VZ	1
STAY,FR,LH,SILVER NO.35 (Ref # 35011D)	35011-1638-TX	1
STAY,FR,LH,SILVER NO.35 (Ref # 35011E)	35011-1638-VZ	1
STAY,FR,RH,SILVER NO.35 (Ref # 35011F)	35011-1639-TX	1
STAY,FR,RH,SILVER NO.35 (Ref # 35011G)	35011-1639-VZ	1