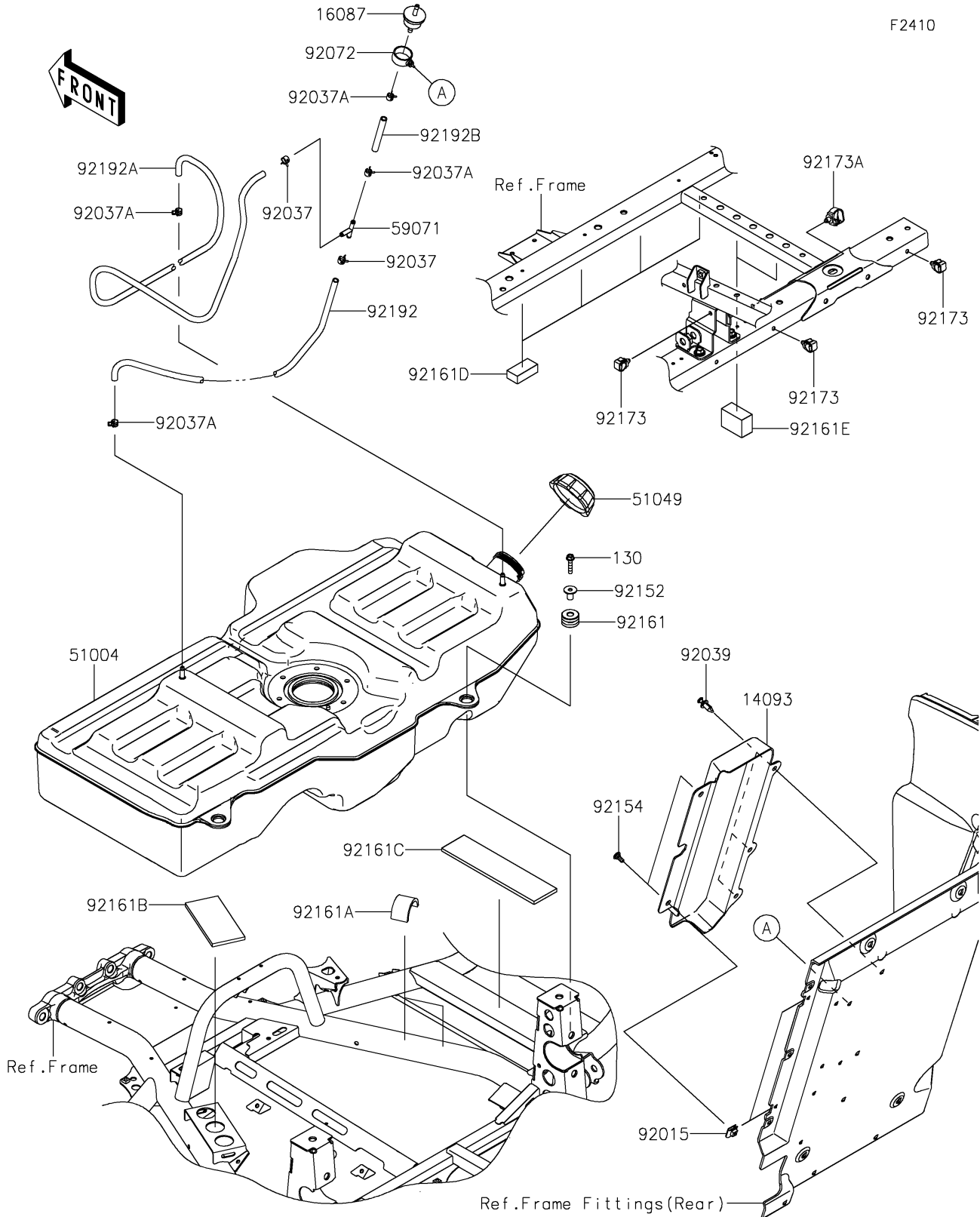


# 2025 TERYX KRX® 1000 TRAIL EDITION PARTS DIAGRAM

Fuel Tank(CA)

F2410



## 2025 TERYX KRX® 1000 TRAIL EDITION PARTS LIST

### Fuel Tank(CA)

| ITEM NAME                               | PART NUMBER | QUANTITY |
|---|-------------|----------|
| COVER,BREATHER PIPE (Ref # 14093)       | 14093-0987  | 1        |
| VALVE-CHECK (Ref # 16087)               | 16087-0011  | 1        |
| TANK-FUEL (Ref # 51004)                 | 51004-0044  | 1        |
| CAP-TANK,FUEL (Ref # 51049)             | 51049-0718  | 1        |
| JOINT (Ref # 59071)                     | 59071-3705  | 1        |
| NUT,CLAMP,6MM (Ref # 92015)             | 92015-1678  | 2        |
| CLAMP,TUBE (Ref # 92037)                | 92037-1461  | 2        |
| CLAMP (Ref # 92037A)                    | 92037-2113  | 4        |
| RIVET (Ref # 92039)                     | 92039-0776  | 3        |
| BAND (Ref # 92072)                      | 92072-0852  | 1        |
| COLLAR,6.8X10X18.1 (Ref # 92152)        | 92152-1867  | 3        |
| BOLT (Ref # 92154)                      | 92154-3957  | 2        |
| DAMPER,TANK (Ref # 92161)               | 92161-2178  | 3        |
| DAMPER,TANK FRAME PIPE (Ref # 92161A)   | 92161-2179  | 2        |
| DAMPER,TANK LH LOWER (Ref # 92161B)     | 92161-2180  | 1        |
| DAMPER,TANK LOWER (Ref # 92161C)        | 92161-2253  | 1        |
| DAMPER,TANK & SEAT FRAME (Ref # 92161D) | 92161-2275  | 4        |
| DAMPER,TANK & SEAT FRAME (Ref # 92161E) | 92161-2288  | 2        |
| CLAMP,12MM DIA. (Ref # 92173)           | 92173-0736  | 3        |
| CLAMP (Ref # 92173A)                    | 92173-0861  | 1        |
| TUBE,5X10X1020 (Ref # 92192)            | 92192-2239  | 1        |
| TUBE,5X10X1380 (Ref # 92192A)           | 92192-2352  | 1        |
| TUBE,5X10.4X80 (Ref # 92192B)           | 92192-2531  | 1        |
| BOLT-FLANGED,6X30 (Ref # 130)           | 130BA0630   | 3        |