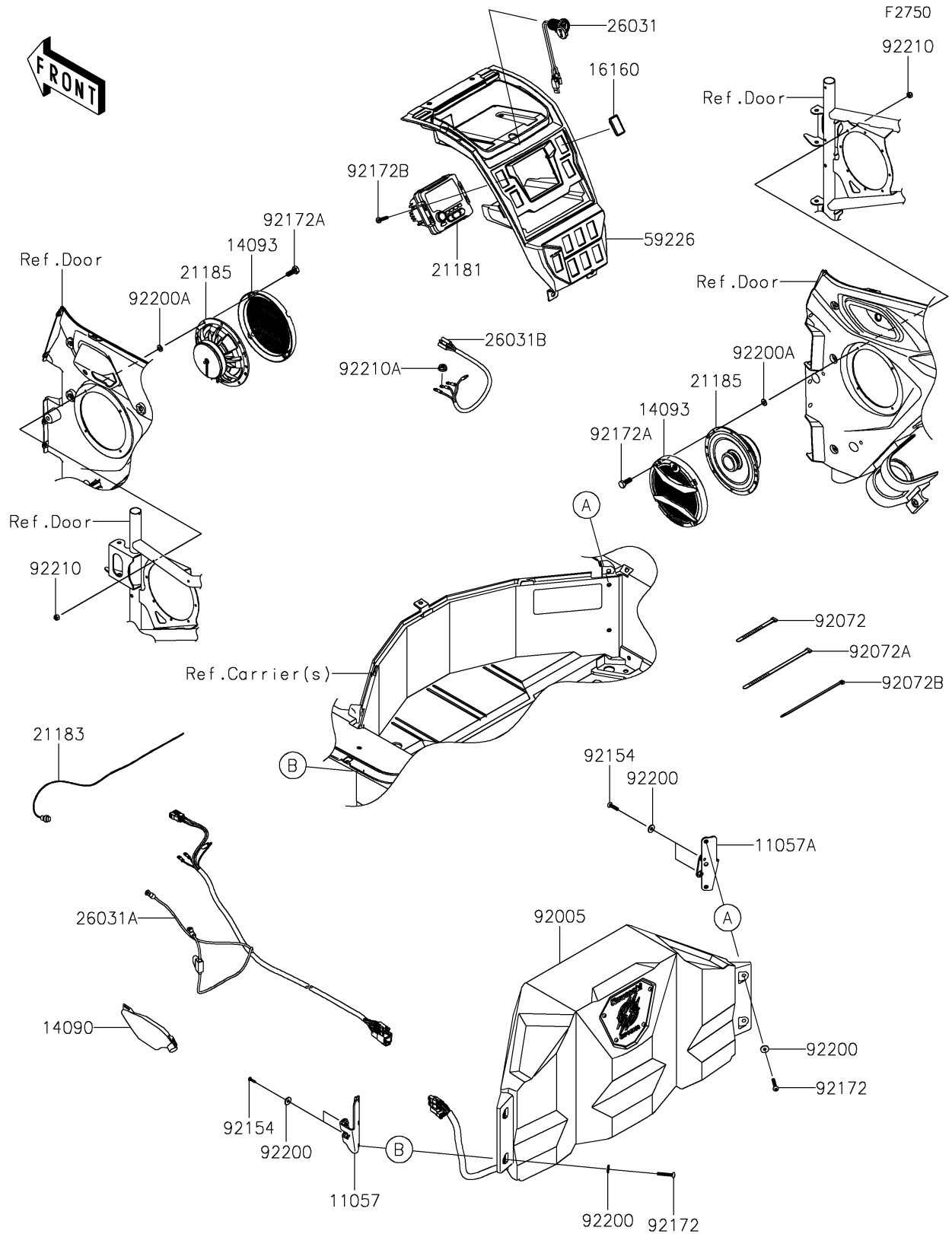


2025 Teryx KRX 1000 Blackout Edition PARTS DIAGRAM

Other(Audio System)



2025 Teryx KRX 1000 Blackout Edition PARTS LIST

Other(Audio System)

ITEM NAME	PART NUMBER	QUANTITY
BRACKET,SUBWOOFER,LH (Ref # 11057)	11057-4017	1
BRACKET,SUBWOOFER,RH (Ref # 11057A)	11057-4018	1
COVER,COUPLER (Ref # 14090)	14090-1611	1
COVER,SPEAKER GRILL (Ref # 14093)	14093-1058	2
BODY,SWITCH COVER (Ref # 16160)	16160-0811	4
AMPLIFIER,RADIO (Ref # 21181)	21181-0019	1
ANTENNA,AM/FM RADIO (Ref # 21183)	21183-0016	1
SPEAKER (Ref # 21185)	21185-0015	2
HARNESS,USB (Ref # 26031)	26031-2812	1
HARNESS,MAIN,AUDIO (Ref # 26031A)	26031-2813	1
HARNESS,RADIO (Ref # 26031B)	26031-2814	1
PANEL-CONTROL,DASH COVER (Ref # 59226)	59226-0759	1
FITTING,SUBWOOFER ENCLOSURE (Ref # 92005)	92005-1417	1
BAND,L=123 (Ref # 92072)	92072-030	3
BAND,L=218 (Ref # 92072A)	92072-032	2
BAND,L=188 (Ref # 92072B)	92072-1239	22
BOLT,6X16 (Ref # 92154)	92154-4102	4
SCREW,6X35 (Ref # 92172)	92172-1351	4
SCREW,4X25 (Ref # 92172A)	92172-1355	8
SCREW (Ref # 92172B)	92172-1440	4
WASHER,6.5X18X1.5 (Ref # 92200)	92200-2337	8
WASHER (Ref # 92200A)	92200-2343	8
NUT,M4 (Ref # 92210)	92210-1785	8
NUT,FLANGED (Ref # 92210A)	92210-1807	1