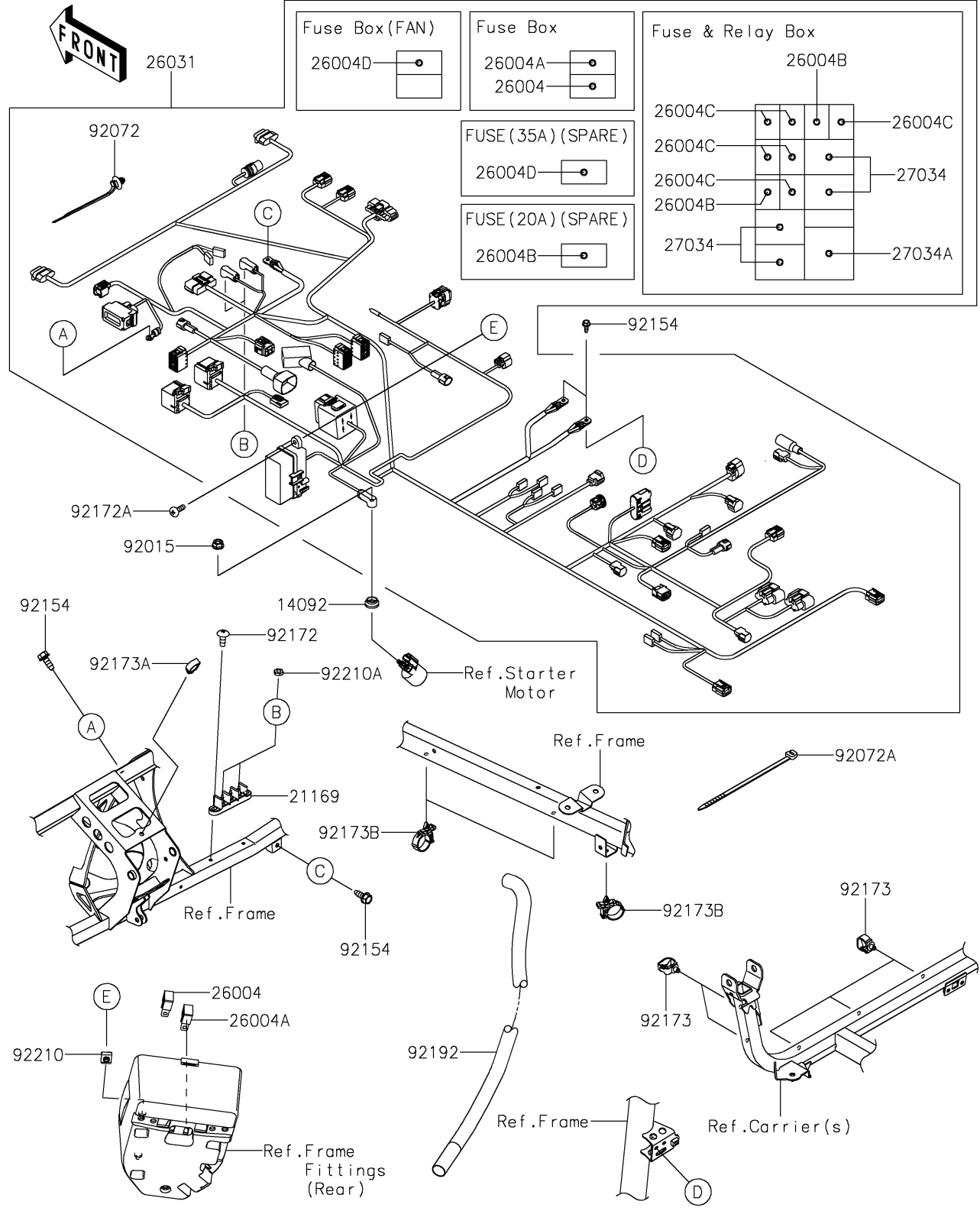


2025 Teryx KRX 1000 Blackout Edition PARTS DIAGRAM

Chassis Electrical Equipment

F2760



2025 Teryx KRX 1000 Blackout Edition PARTS LIST

Chassis Electrical Equipment

ITEM NAME	PART NUMBER	QUANTITY
COVER,MAGNETIC SW. (Ref # 14092)	14092-0851	1
TERMINAL (Ref # 21169)	21169-0571	1
FUSE-ASSY,SLOW-BLOW,60A (Ref # 26004)	26004-0029	2
FUSE-ASSY,SLOW-BLOW,70A (Ref # 26004A)	26004-0030	2
FUSE-ASSY,20A (Ref # 26004B)	26004-0033	3
FUSE-ASSY,10A (Ref # 26004C)	26004-0034	6
FUSE-ASSY,35A (Ref # 26004D)	26004-0046	2
HARNESS,MAIN (Ref # 26031)	26031-4168	1
RELAY (Ref # 27034)	27034-0013	4
RELAY (Ref # 27034A)	27034-0024	1
NUT,FLANGED,6MM (Ref # 92015)	92015-1367	1
BAND,OS170-FT7(BLACK) (Ref # 92072)	92072-1414	AR
BAND,L=292.1 (Ref # 92072A)	92072-3509	3
BOLT,FLANGED,6X16 (Ref # 92154)	92154-0551	4
SCREW,TAPPING,6X16 (Ref # 92172)	92172-0739	2
SCREW,5X20 (Ref # 92172A)	92172-2081	2
CLAMP (Ref # 92173)	92173-0861	5
CLAMP,HOLDER CLIP (Ref # 92173A)	92173-0868	1
CLAMP,CABLE,28MM (Ref # 92173B)	92173-1062	3
TUBE,CONVOLUTED,19.5X23.8X1150 (Ref # 92192)	92192-1942	1
NUT (Ref # 92210)	92210-0571	2
NUT (Ref # 92210A)	92210-1680	2