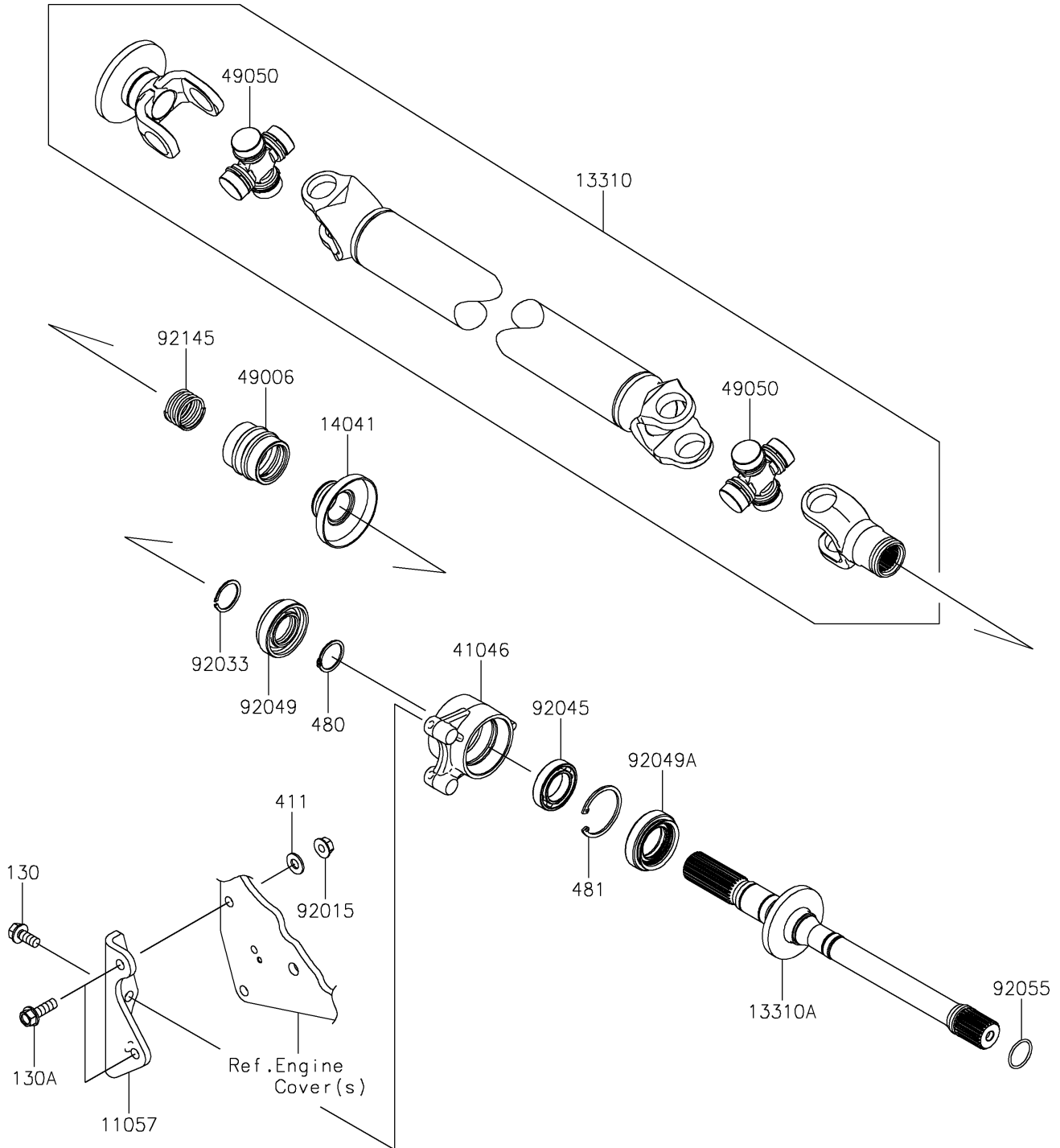


# 2025 Teryx KRX 1000 Lifted Edition PARTS DIAGRAM

Drive Shaft-Propeller

E3135



## 2025 Teryx KRX 1000 Lifted Edition PARTS LIST

### Drive Shaft-Propeller

ITEM NAME	PART NUMBER	QUANTITY
BRACKET,BEARING-COMP (Ref # 11057)	11057-2804	1
SHAFT-ASSY,FR GEAR SIDE (Ref # 13310)	13310-0581	1
SHAFT-ASSY (Ref # 13310A)	13310-0582	1
COVER-COMP (Ref # 14041)	14041-0631	1
HOUSING-BEARING (Ref # 41046)	41046-0037	1
BOOT (Ref # 49006)	49006-0646	1
SPIDER (Ref # 49050)	49050-0034	2
NUT,FLANGED,8MM (Ref # 92015)	92015-1014	2
RING-SNAP,25MM (Ref # 92033)	92033-1172	1
BEARING-BALL,#6905 (Ref # 92045)	92045-036	1
SEAL-OIL,TC9Y 25X48X10X17.2 (Ref # 92049)	92049-0817	1
SEAL-OIL,TC9Y 28X50X10X17.2 (Ref # 92049A)	92049-0818	1
RING-O,22.1X1.9 (Ref # 92055)	92055-1617	1
SPRING (Ref # 92145)	92145-1838	1
BOLT-FLANGED,8X18 (Ref # 130)	130BA0818	2
BOLT-FLANGED,8X25 (Ref # 130A)	130BA0825	2
WASHER-PLAIN,8MM (Ref # 411)	411AA0800	2
CIRCLIP-TYPE-C,25MM (Ref # 480)	480J2500	1
CIRCLIP-TYPE-C,42MM (Ref # 481)	481J4200	1