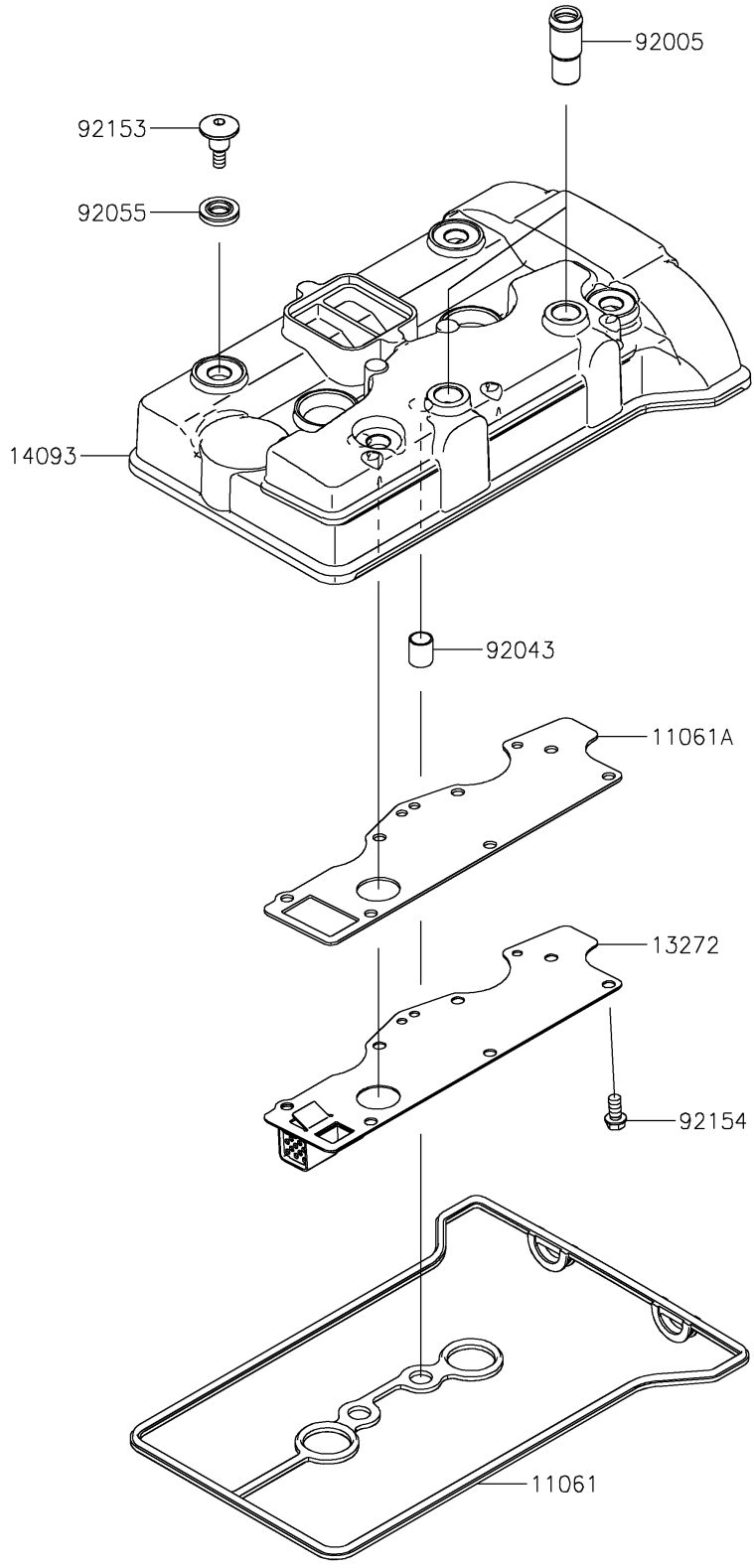


# 2025 TERYX® KRX4™ 1000 BLACKOUT EDITION PARTS DIAGRAM

Cylinder Head Cover

E1112



# 2025 TERYX® KRX4™ 1000 BLACKOUT EDITION PARTS LIST

## Cylinder Head Cover

ITEM NAME	PART NUMBER	QUANTITY
GASKET,HEAD COVER (Ref # 11061)	11061-1313	1
GASKET,BREATHER PLATE (Ref # 11061A)	11061-1314	1
PLATE,BREATHER (Ref # 13272)	13272-2685	1
COVER,HEAD (Ref # 14093)	14093-0848	1
FITTING,BREATHER (Ref # 92005)	92005-0968	2
PIN,10.1X12X14 (Ref # 92043)	92043-4009	2
RING-O (Ref # 92055)	92055-0785	4
BOLT,SOCKET,6X22.5 (Ref # 92153)	92153-1779	4
BOLT,FLANGED-SMALL,6X12 (Ref # 92154)	92154-1888	7