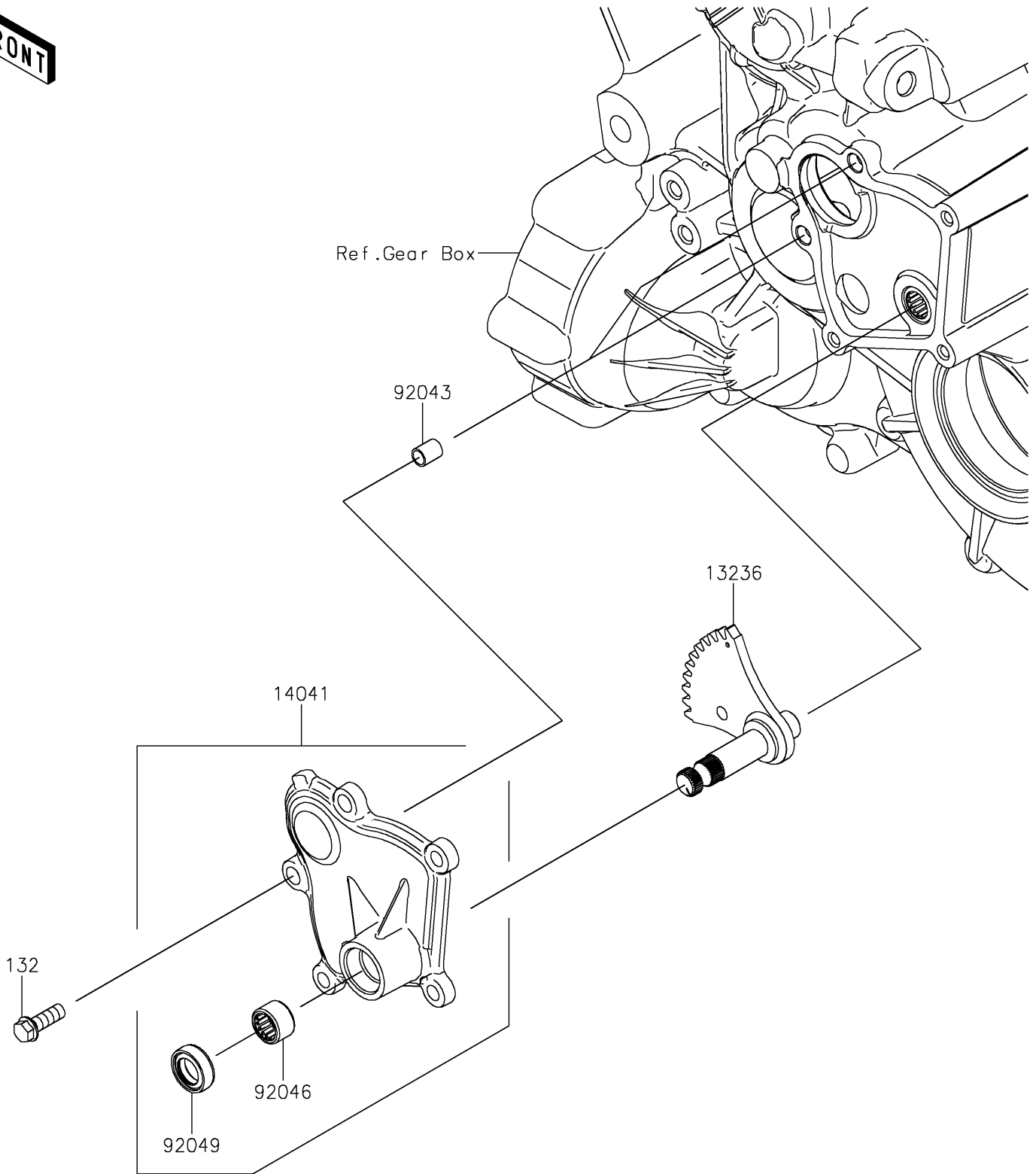


2025 TERYX® KRX4™ 1000 LIFTED EDITION PARTS DIAGRAM

Gear Change Mechanism

E1370



2025 TERYX® KRX4™ 1000 LIFTED EDITION PARTS LIST

Gear Change Mechanism

ITEM NAME	PART NUMBER	QUANTITY
LEVER-COMP (Ref # 13236)	13236-0816	1
COVER-COMP (Ref # 14041)	14041-0614	1
PIN,DOWEL,8X10 (Ref # 92043)	92043-1302	2
BEARING-NEEDLE,HK1210FM (Ref # 92046)	92046-0034	1
SEAL-OIL,CLUTCH RELEASE (Ref # 92049)	92049-1475	1
BOLT-FLANGED-SMALL,6X18 (Ref # 132)	132BA0618	5