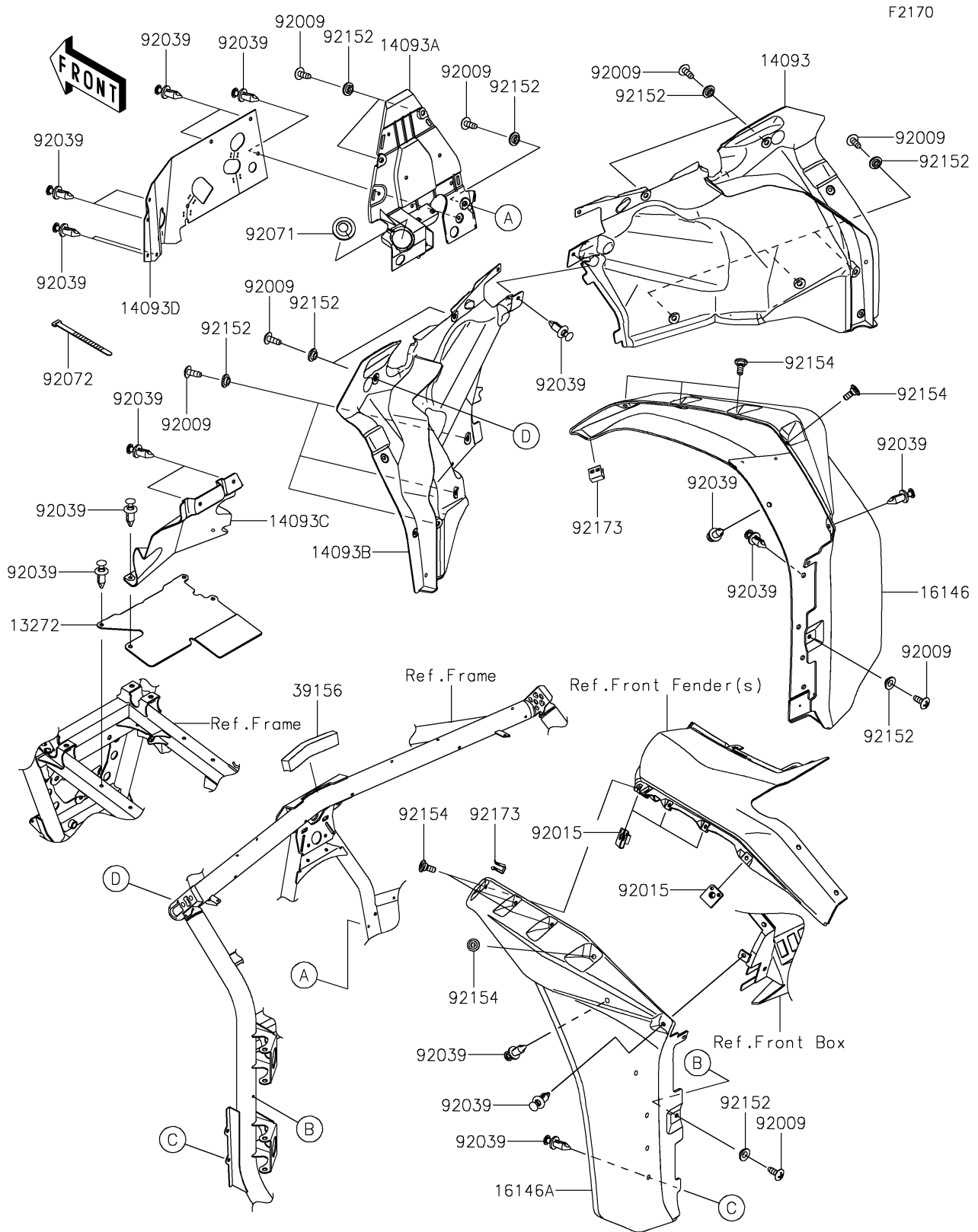


2025 TERYX® KRX4™ 1000 LIFTED EDITION PARTS DIAGRAM

Fenders



2025 TERYX® KRX4™ 1000 LIFTED EDITION PARTS LIST

Fenders

ITEM NAME	PART NUMBER	QUANTITY
PLATE,FR FRAME (Ref # 13272)	13272-4336	1
COVER,FLOOR UPP,RH (Ref # 14093)	14093-0822	1
COVER,FLOOR UPP,CNT (Ref # 14093A)	14093-0823	1
COVER,FLOOR UPP,LH (Ref # 14093B)	14093-0824	1
COVER,WINDBREAK (Ref # 14093C)	14093-1390	1
COVER,RUBBER (Ref # 14093D)	14093-1455	1
COVER,FR FENDER,RH (Ref # 16146)	16146-0877	1
COVER,FR FENDER,LH (Ref # 16146A)	16146-0878	1
PAD,20X170X30 (Ref # 39156)	39156-2436	1
SCREW,TAPPING,6X16 (Ref # 92009)	92009-1166	15
NUT,CLAMP,6MM (Ref # 92015)	92015-1678	8
RIVET (Ref # 92039)	92039-0776	26
GROMMET (Ref # 92071)	92071-0830	1
BAND,L=123 (Ref # 92072)	92072-030	5
COLLAR,6.3X9.5X4.1 (Ref # 92152)	92152-1571	15
BOLT (Ref # 92154)	92154-2474	8
CLAMP (Ref # 92173)	92173-2249	2