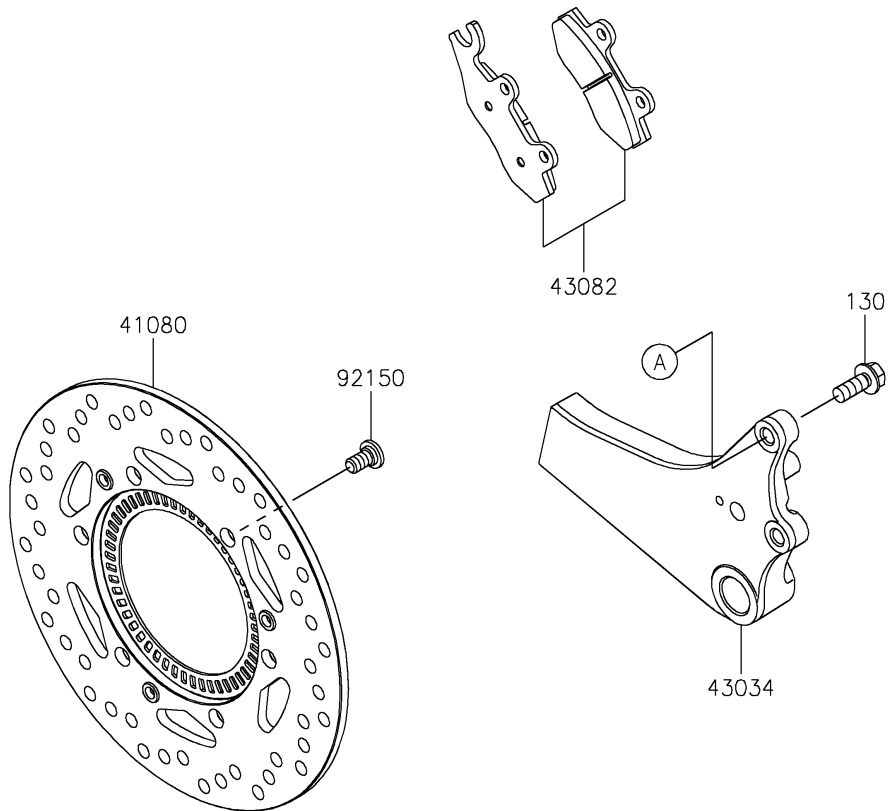
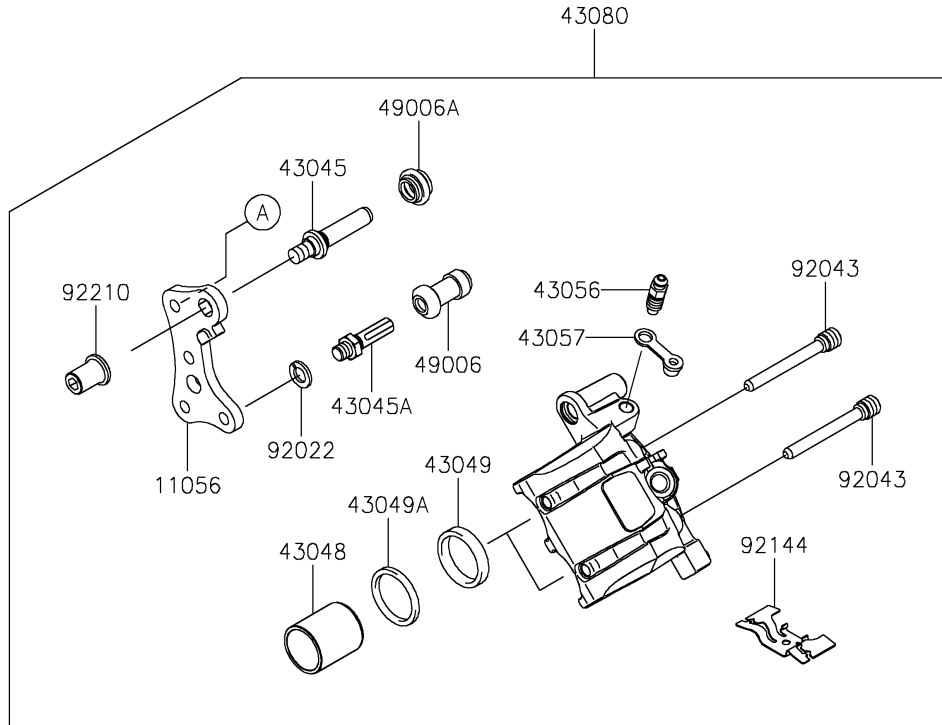


# 2023 KLR® 650 Adventure ABS PARTS DIAGRAM

Rear Brake

F2294



## 2023 KLR® 650 Adventure ABS PARTS LIST

### Rear Brake

ITEM NAME	PART NUMBER	QUANTITY
BRACKET,CALIPER (Ref # 11056)	11056-0202	1
DISC,RR,ABS,BLACK (Ref # 41080)	41080-0731-11H	1
HOLDER-BRAKE (Ref # 43034)	43034-0164	1
SHAFT-CALIPER (Ref # 43045)	43045-0013	1
SHAFT-CALIPER (Ref # 43045A)	43045-1010	1
PISTON-CALIPER (Ref # 43048)	43048-1068	2
PACKING,PISTON SEAL (Ref # 43049)	43049-1060	2
PACKING,PISTON SEAL (Ref # 43049A)	43049-1061	2
BREATHER-BRAKE (Ref # 43056)	43056-0004	1
CAP-BREATHER (Ref # 43057)	43057-1001	1
CALIPER-SUB-ASSY,RR,BLACK (Ref # 43080)	43080-0232-DJ	1
PAD-ASSY-BRAKE (Ref # 43082)	43082-0080	1
BOOT,CALIPER (Ref # 49006)	49006-1088	1
BOOT,CALIPER (Ref # 49006A)	49006-1242	1
WASHER,WAVE (Ref # 92022)	92022-1373	1
PIN,HANGER (Ref # 92043)	92043-1416	2
SPRING,PAD (Ref # 92144)	92144-1847	1
BOLT,DISC PLATE,8X15 (Ref # 92150)	92150-1811	6
NUT (Ref # 92210)	92210-0615	1
BOLT-FLANGED,8X20 (Ref # 130)	130BA0820	2