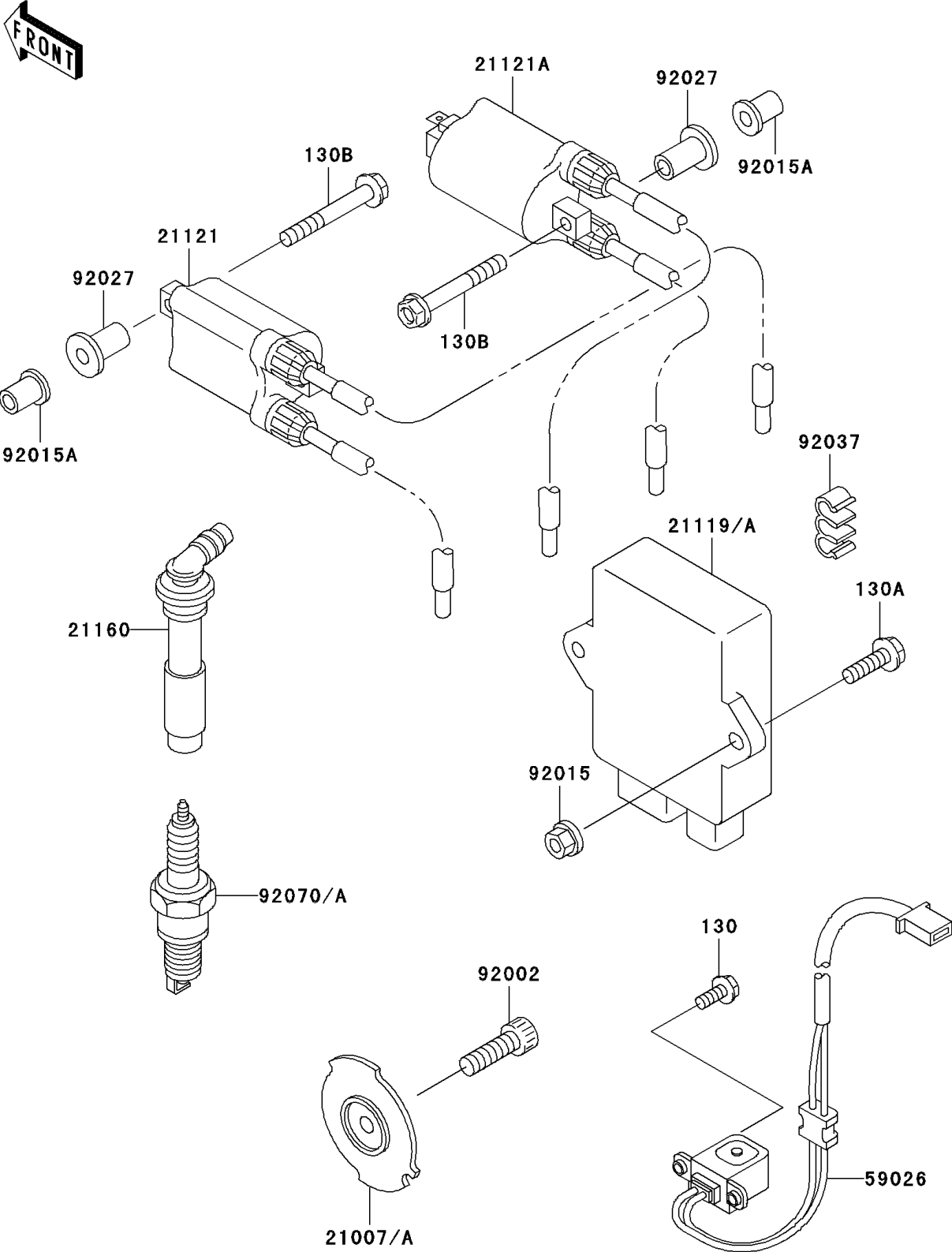


# 2004 ZZR600 PARTS DIAGRAM

Ignition System

E1830



## 2004 ZZR600 PARTS LIST

### Ignition System

| ITEM NAME                             | PART NUMBER | QUANTITY |
|---------------------------------------|-------------|----------|
| BOLT-FLANGED (Ref # 130)              | 130G0512    | 2        |
| BOLT-FLANGED (Ref # 130A)             | 130J0620    | 2        |
| BOLT-FLANGED,6X45,BLACK (Ref # 130B)  | 130J0645    | 4        |
| COIL-IGNITION,#1&#4 (Ref # 21121)     | 21121-1227  | 1        |
| COIL-IGNITION,#2&#3 (Ref # 21121A)    | 21121-1228  | 1        |
| CAP-ASSY-PLUG (Ref # 21160)           | 21160-1081  | 4        |
| COIL-PULSING (Ref # 59026)            | 59026-1100  | 1        |
| BOLT,SOCKET,8X25 (Ref # 92002)        | 92002-1442  | 1        |
| NUT,6MM (Ref # 92015)                 | 92015-1094  | 2        |
| NUT (Ref # 92015A)                    | 92015-1700  | 4        |
| COLLAR,L=21 (Ref # 92027)             | 92027-195   | 4        |
| CLAMP,CABLE (Ref # 92037)             | 92037-1697  | 1        |
| PLUG-SPARK,U27ESR-N(ND) (Ref # 92070) |             | 4        |
| PLUG-SPARK,CR9E(NGK) (Ref # 92070A)   | 92070-1266  | 4        |
| ROTOR,PULSING (Ref # 21007)           | 21007-1205  | 1        |
| ROTOR,PULSING (Ref # 21007A)          | 21007-1258  | 1        |
| IGNITER (Ref # 21119)                 | 21119-1364  | 1        |
| IGNITER (Ref # 21119A)                | 21119-1387  | 1        |