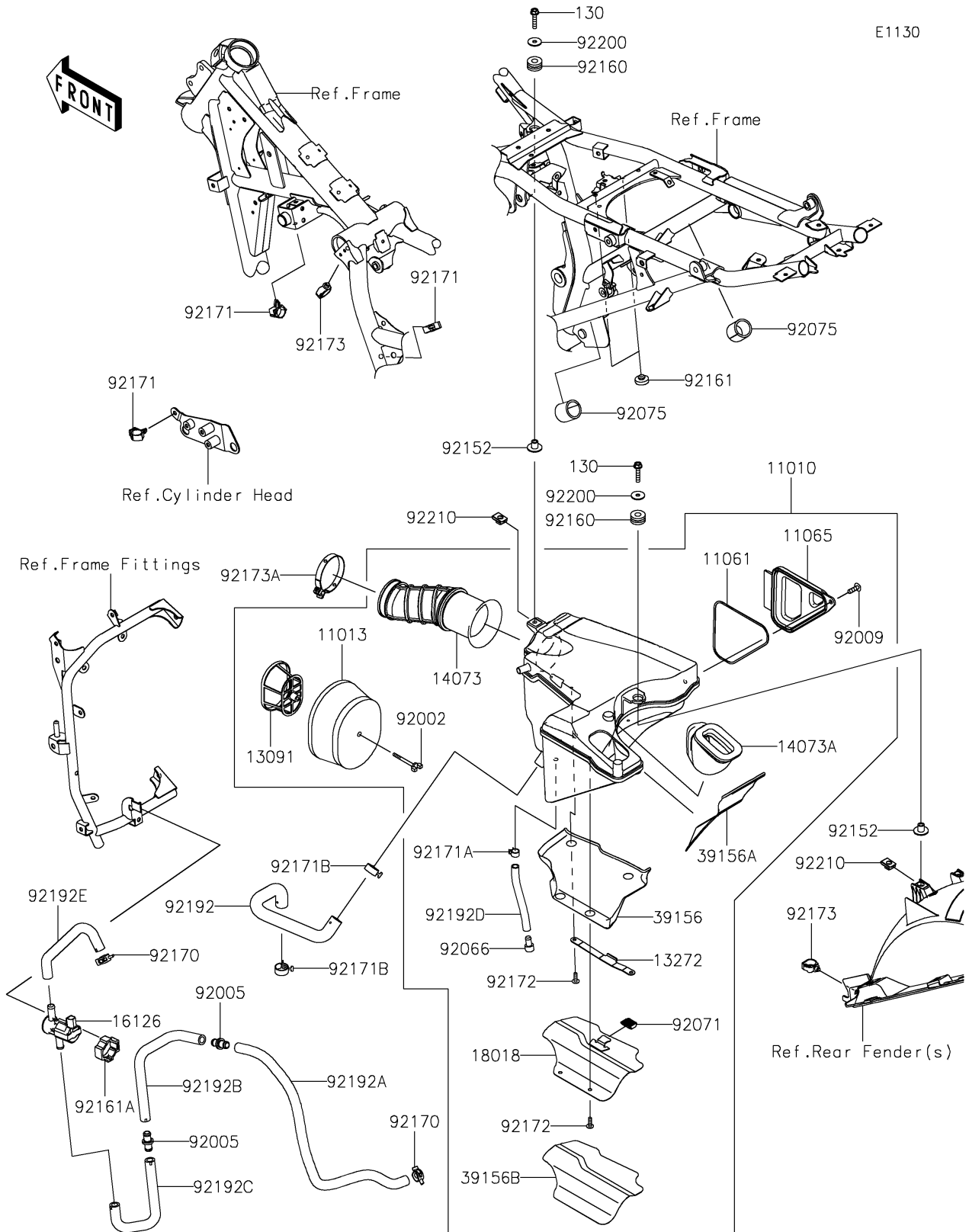


2023 KLR® 650 PARTS DIAGRAM

Air Cleaner



2023 KLR® 650 PARTS LIST

Air Cleaner

| ITEM NAME | PART NUMBER | QUANTITY |
|------------------------------------|-------------|----------|
| FILTER-ASSY-AIR (Ref # 11010) | 11010-1805 | 1 |
| ELEMENT-AIR FILTER (Ref # 11013) | 11013-1152 | 1 |
| GASKET (Ref # 11061) | 11061-1393 | 1 |
| CAP (Ref # 11065) | 11065-1373 | 1 |
| HOLDER (Ref # 13091) | 13091-1473 | 1 |
| PLATE (Ref # 13272) | 13272-3875 | 1 |
| DUCT (Ref # 14073) | 14073-0993 | 1 |
| DUCT (Ref # 14073A) | 14073-0994 | 1 |
| VALVE,AIR SWITCHING (Ref # 16126) | 16126-0033 | 1 |
| PLATE-HEAT GUARD (Ref # 18018) | 18018-0641 | 1 |
| PAD (Ref # 39156) | 39156-2760 | 1 |
| PAD (Ref # 39156A) | 39156-2761 | 1 |
| PAD (Ref # 39156B) | 39156-2793 | 1 |
| BOLT (Ref # 92002) | 92002-1904 | 1 |
| FITTING (Ref # 92005) | 92005-1379 | 2 |
| SCREW (Ref # 92009) | 92009-1460 | 1 |
| PLUG,DRAIN,8.5X15 (Ref # 92066) | 92066-0127 | 1 |
| GROMMET (Ref # 92071) | 92071-0786 | 1 |
| DAMPER,25X31X30 (Ref # 92075) | 92075-1906 | 2 |
| COLLAR,6.5X10.5X13.1 (Ref # 92152) | 92152-0547 | 2 |
| DAMPER (Ref # 92160) | 92160-1162 | 2 |
| DAMPER (Ref # 92161) | 92161-0336 | 2 |
| DAMPER,ASWV (Ref # 92161A) | 92161-0499 | 1 |
| CLAMP (Ref # 92170) | 92170-1118 | 2 |
| CLAMP,BRAKE HOSE (Ref # 92171) | 92171-0316 | 3 |
| CLAMP,12MM (Ref # 92171A) | 92171-1870 | 1 |
| CLAMP (Ref # 92171B) | 92171-1890 | 2 |
| SCREW,TAPPING,5X16 (Ref # 92172) | 92172-0280 | 4 |
| CLAMP,HOLDER CLIP (Ref # 92173) | 92173-0868 | 2 |

2023 KLR® 650 PARTS LIST

Air Cleaner

| ITEM NAME | PART NUMBER | QUANTITY |
|-------------------------------------|-------------|----------|
| CLAMP,62MM (Ref # 92173A) | 92173-0922 | 1 |
| TUBE,BREATHER (Ref # 92192) | 92192-2463 | 1 |
| TUBE,FITTING-A/C (Ref # 92192A) | 92192-2464 | 1 |
| TUBE,FITTING-FITTING (Ref # 92192B) | 92192-2465 | 1 |
| TUBE,ASWV-FITTING (Ref # 92192C) | 92192-2466 | 1 |
| TUBE (Ref # 92192D) | 92192-2493 | 1 |
| TUBE,ASWV-REED VALVE (Ref # 92192E) | 92192-2500 | 1 |
| WASHER,6.5X22X1.6 (Ref # 92200) | 92200-1087 | 2 |
| NUT,6MM (Ref # 92210) | 92210-0474 | 2 |
| BOLT-FLANGED,6X30 (Ref # 130) | 130BB0630 | 2 |