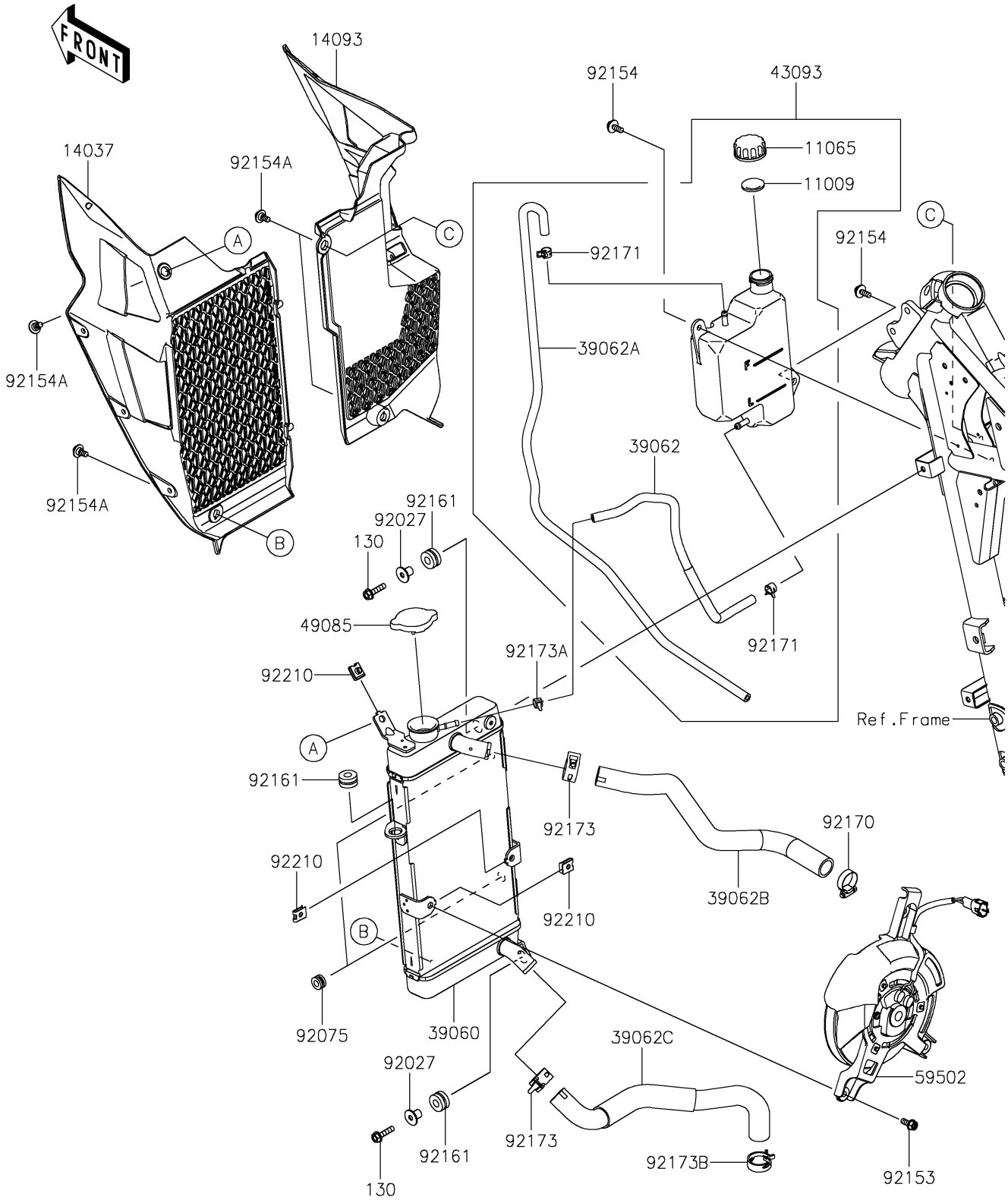


2023 KLR[®] 650 PARTS DIAGRAM

Radiator

E3032



2023 KLR® 650 PARTS LIST

Radiator

| ITEM NAME | PART NUMBER | QUANTITY |
|---|-------------|----------|
| GASKET,RESERVOIR TANK CAP (Ref # 11009) | 11009-1145 | 1 |
| CAP (Ref # 11065) | 11065-0969 | 1 |
| SCREEN,RADIATOR (Ref # 14037) | 14037-0821 | 1 |
| COVER,RH (Ref # 14093) | 14093-1070 | 1 |
| RADIATOR (Ref # 39060) | 39060-0744 | 1 |
| HOSE-COOLING,RAD-RESERVOIR (Ref # 39062) | 39062-0922 | 1 |
| HOSE-COOLING,OVERFLOW (Ref # 39062A) | 39062-0923 | 1 |
| HOSE-COOLING,HEAD-RADIATOR (Ref # 39062B) | 39062-0924 | 1 |
| HOSE-COOLING,W/PUMP-RADIATOR (Ref # 39062C) | 39062-0925 | 1 |
| RESERVOIR-ASSY-TANK (Ref # 43093) | 43093-0010 | 1 |
| CAP-ASSY-PRESSURE (Ref # 49085) | 49085-0006 | 1 |
| FAN-ASSY (Ref # 59502) | 59502-0632 | 1 |
| COLLAR,6.5X10X14.1 (Ref # 92027) | 92027-1183 | 2 |
| DAMPER (Ref # 92075) | 92075-1912 | 2 |
| BOLT (Ref # 92153) | 92153-0531 | 3 |
| BOLT,6X16 (Ref # 92154) | 92154-0391 | 2 |
| BOLT,FLANGED,6X9 (Ref # 92154A) | 92154-0546 | 4 |
| DAMPER (Ref # 92161) | 92161-1755 | 3 |
| CLAMP,COOLING HOSE (Ref # 92170) | 92170-1033 | 1 |
| CLAMP,10.5X8X0.7 (Ref # 92171) | 92171-1992 | 2 |
| CLAMP (Ref # 92173) | 92173-1567 | 2 |
| CLAMP (Ref # 92173A) | 92173-2425 | 1 |
| CLAMP (Ref # 92173B) | 92173-2459 | 1 |
| NUT (Ref # 92210) | 92210-1323 | 3 |
| BOLT-FLANGED,6X25 (Ref # 130) | 130BA0625 | 2 |