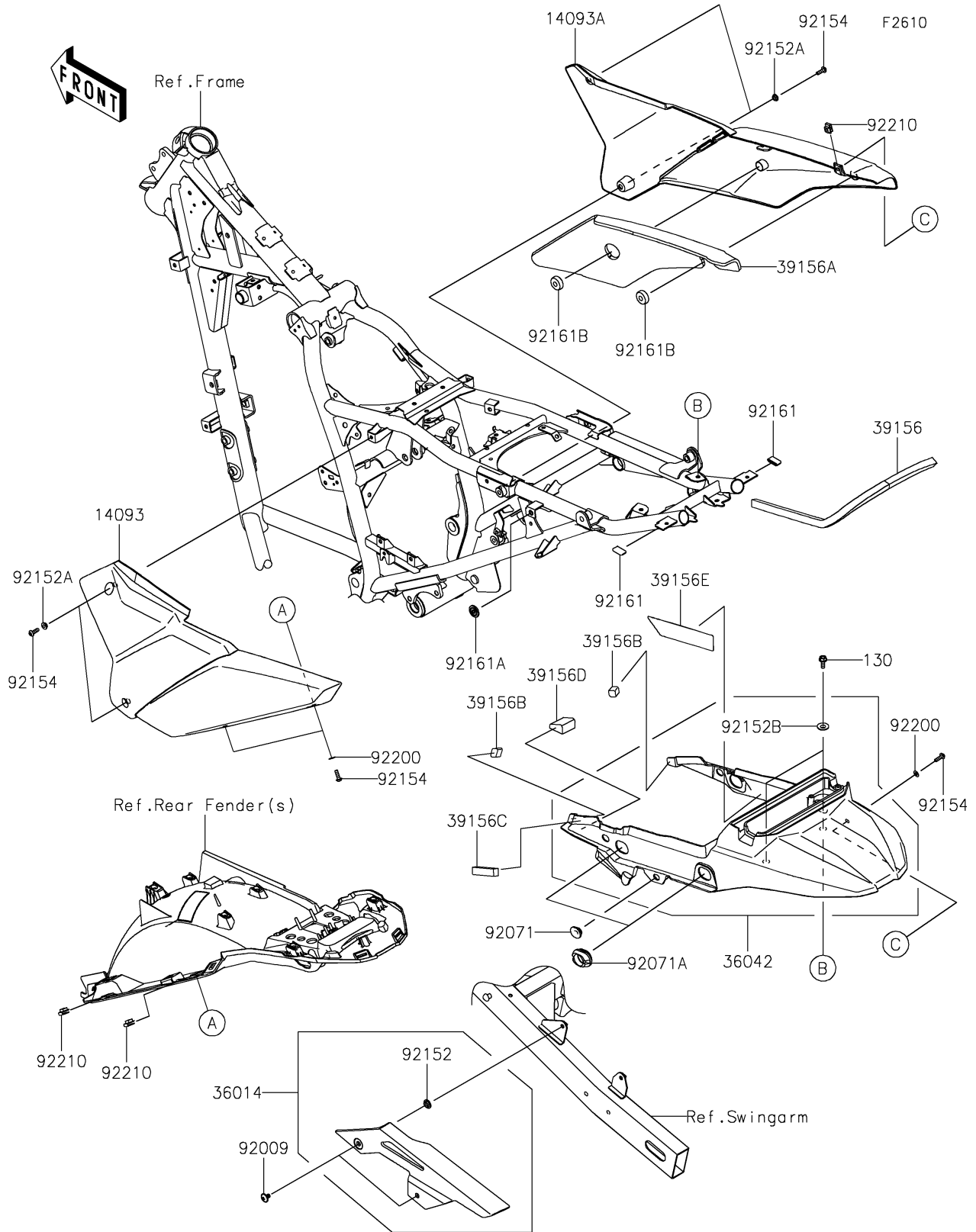


2023 KLR® 650 PARTS DIAGRAM

Side Covers/Chain Cover



2023 KLR® 650 PARTS LIST

Side Covers/Chain Cover

| ITEM NAME | PART NUMBER | QUANTITY |
|--|---------------|----------|
| COVER,SIDE,LH,BLACK (Ref # 14093) | 14093-1275-6Z | 1 |
| COVER,SIDE,RH,BLACK (Ref # 14093A) | 14093-1276-6Z | 1 |
| CASE-CHAIN (Ref # 36014) | 36014-0044 | 1 |
| COVER-TAIL,BLACK (Ref # 36042) | 36042-0015-6Z | 1 |
| PAD,10X13X440 (Ref # 39156) | 39156-2663 | 1 |
| PAD,SIDE COVER,RH (Ref # 39156A) | 39156-2682 | 1 |
| PAD (Ref # 39156B) | 39156-2750 | 2 |
| PAD,10X13X62 (Ref # 39156C) | 39156-2763 | 1 |
| PAD (Ref # 39156D) | 39156-2764 | 1 |
| PAD,TAIL COVER (Ref # 39156E) | 39156-2780 | 1 |
| SCREW,6X10 (Ref # 92009) | 92009-1729 | 2 |
| GROMMET,20X24X7.5 (Ref # 92071) | 92071-0766 | 1 |
| GROMMET,26.4X42.4X15.8 (Ref # 92071A) | 92071-0772 | 4 |
| COLLAR,8.8X11.2X4 (Ref # 92152) | 92152-0909 | 2 |
| COLLAR (Ref # 92152A) | 92152-2903 | 4 |
| COLLAR (Ref # 92152B) | 92152-2907 | 2 |
| BOLT,SOCKET,5X16 (Ref # 92154) | 92154-0182 | 7 |
| DAMPER,12X23 (Ref # 92161) | 92161-1367 | 2 |
| DAMPER,8X22X10 (Ref # 92161A) | 92161-1685 | 1 |
| DAMPER (Ref # 92161B) | 92161-2090 | 2 |
| WASHER,NYLONE,5.3X11.5X0.5 (Ref # 92200) | 92200-0006 | 3 |
| NUT,PLATE,5MM (Ref # 92210) | 92210-0935 | 3 |
| BOLT-FLANGED,6X16 (Ref # 130) | 130BA0616 | 2 |