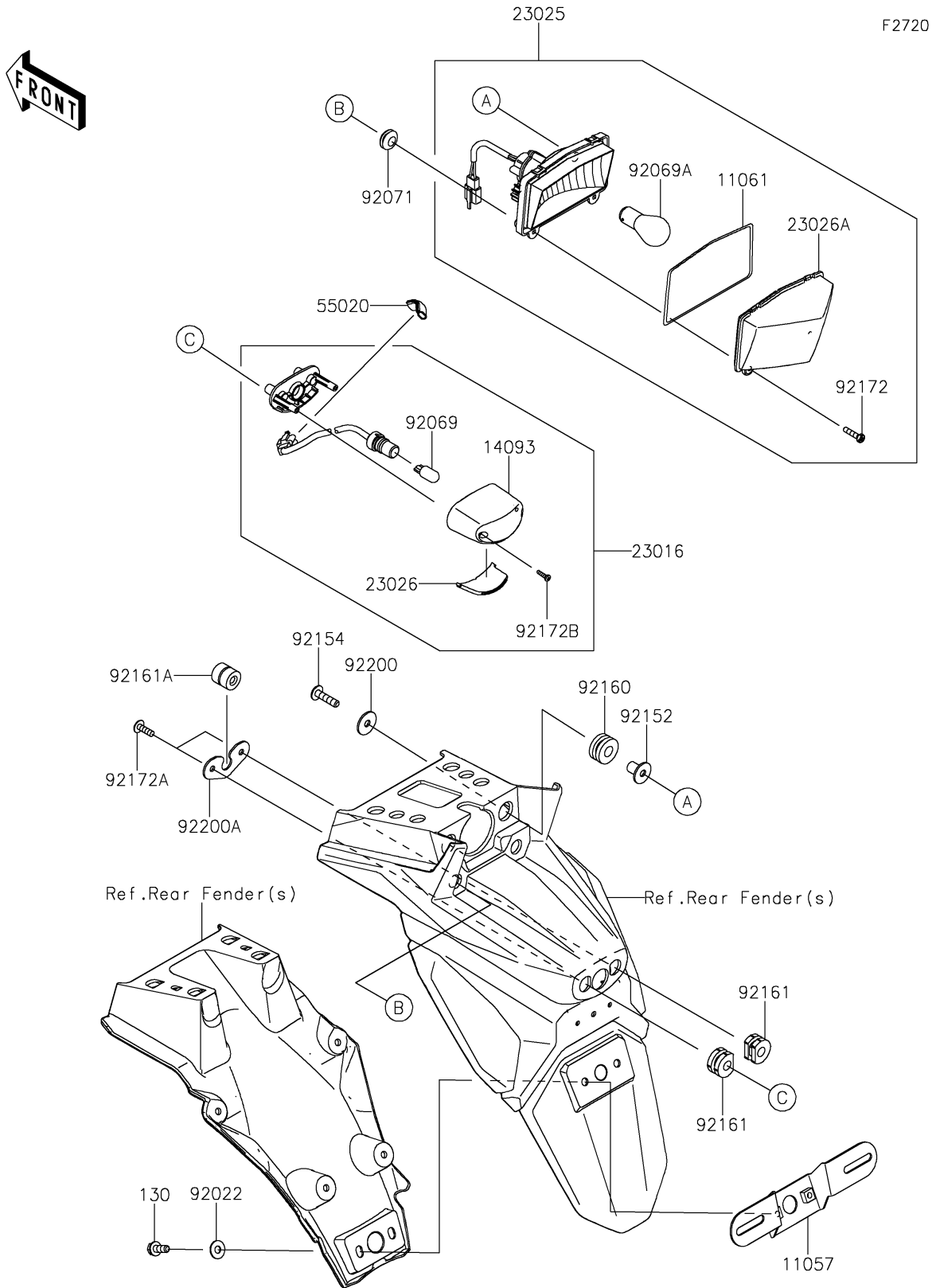


# 2024 KLR650 PARTS DIAGRAM

Taillight(s)



## 2024 KLR650 PARTS LIST

### Taillight(s)

| ITEM NAME                           | PART NUMBER | QUANTITY |
|-------------------------------------|-------------|----------|
| BRACKET,LICENSE PLATE (Ref # 11057) | 11057-1046  | 1        |
| GASKET,TAIL LAMP LENS (Ref # 11061) | 11061-0393  | 1        |
| COVER,LICENSE LAMP (Ref # 14093)    | 14093-0525  | 1        |
| LAMP-ASSY,LICENCE (Ref # 23016)     | 23016-0604  | 1        |
| LAMP-TAIL (Ref # 23025)             | 23025-0392  | 1        |
| LENS,LICENSE LAMP (Ref # 23026)     | 23026-0025  | 1        |
| LENS,TAIL LAMP (Ref # 23026A)       | 23026-0036  | 1        |
| GUARD,50X30 (Ref # 55020)           | 55020-2334  | 1        |
| WASHER,6.5X16X1.0 (Ref # 92022)     | 92022-1093  | 2        |
| BULB,12V 5W (Ref # 92069)           | 92069-1016  | 1        |
| BULB,12V 21/5W (Ref # 92069A)       | 92069-1084  | 1        |
| GROMMET (Ref # 92071)               | 92071-024   | 2        |
| COLLAR,6.3X9.5X13.5 (Ref # 92152)   | 92152-1942  | 2        |
| BOLT,SOCKET,6X25 (Ref # 92154)      | 92154-0071  | 2        |
| DAMPER (Ref # 92160)                | 92160-1162  | 2        |
| DAMPER (Ref # 92161)                | 92161-0776  | 2        |
| DAMPER,6X18X18.2 (Ref # 92161A)     | 92161-1809  | 1        |
| SCREW,4.2X19 (Ref # 92172)          | 92172-0411  | 2        |
| SCREW,TAPPING,5X16 (Ref # 92172A)   | 92172-0427  | 2        |
| SCREW,4X12 (Ref # 92172B)           | 92172-0904  | 2        |
| WASHER,6.5X22X1.6 (Ref # 92200)     | 92200-1087  | 2        |
| WASHER (Ref # 92200A)               | 92200-1773  | 1        |
| BOLT-FLANGED,6X16 (Ref # 130)       | 130BA0616   | 2        |