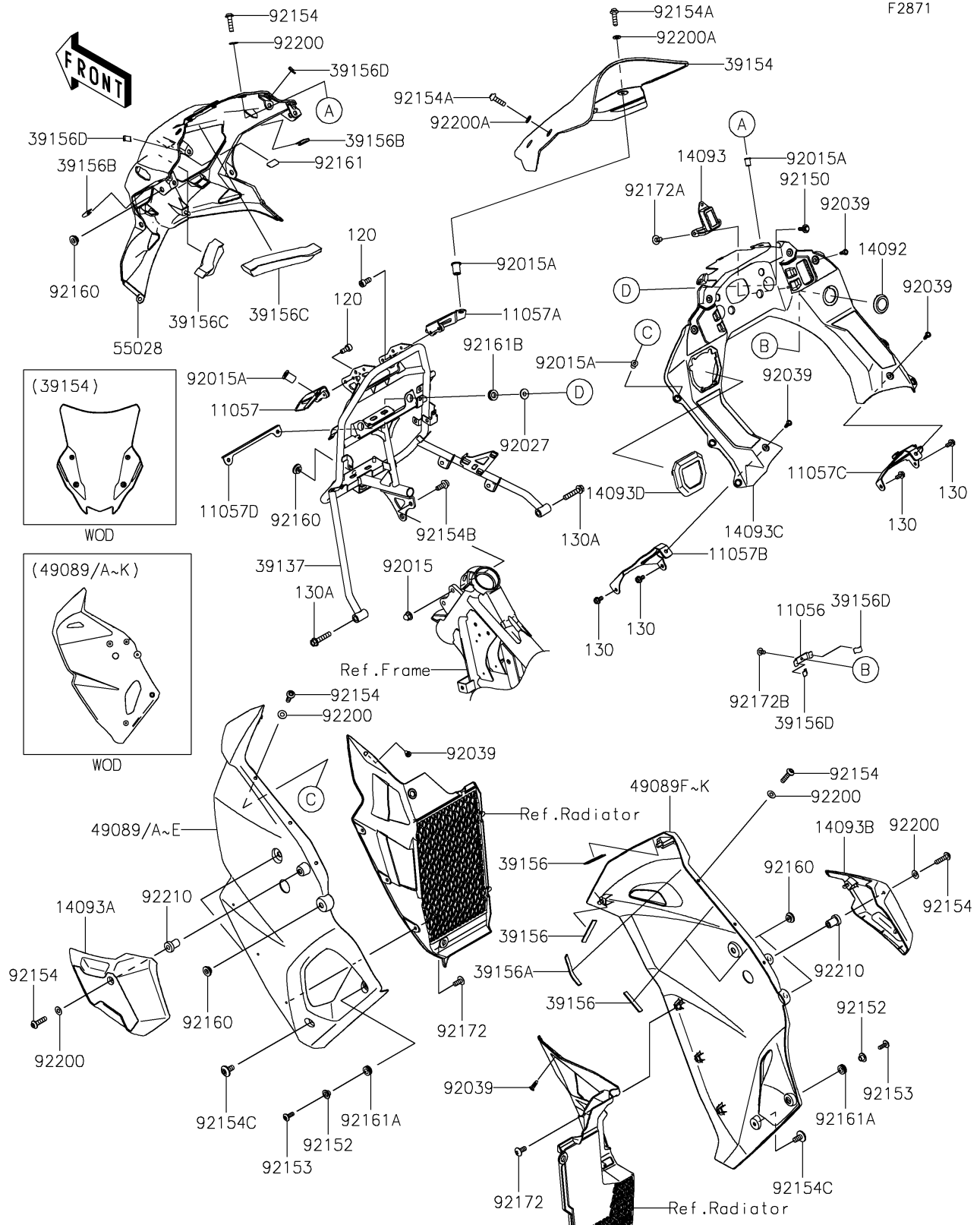


2025 KLR650 PARTS DIAGRAM

Cowling

F2871



2025 KLR650 PARTS LIST

Cowling

ITEM NAME	PART NUMBER	QUANTITY
BRACKET,CAP COVER (Ref # 11056)	11056-4313	1
BRACKET,WINDSHIELD,LH (Ref # 11057)	11057-4397	1
BRACKET,WINDSHIELD,RH (Ref # 11057A)	11057-4398	1
BRACKET,DASHBOARD,LH (Ref # 11057B)	11057-7243	1
BRACKET,DASHBOARD,RH (Ref # 11057C)	11057-7245	1
BRACKET,METER (Ref # 11057D)	11057-7893	1
COVER,DC SOCKET (Ref # 14092)	14092-0214	1
COVER,FOG SW. (Ref # 14093)	14093-0565	1
COVER,SHROUD,LH (Ref # 14093A)	14093-1074	1
COVER,SHROUD,RH (Ref # 14093B)	14093-1075	1
COVER,DASHBOARD (Ref # 14093C)	14093-1076	1
COVER,USB (Ref # 14093D)	14093-1077	1
STAY-COMP,COWLING (Ref # 39137)	39137-0731	1
WINDSHIELD (Ref # 39154)	39154-0434	1
PAD,10X50X2 (Ref # 39156)	39156-1924	8
PAD,10X80X2 (Ref # 39156A)	39156-2238	2
PAD,25X25X2 (Ref # 39156B)	39156-2573	2
PAD,20X15X150 (Ref # 39156C)	39156-2762	2
PAD,20X10X2 (Ref # 39156D)	39156-2849	4
SHROUD-ENGINE,LH,P.C.WHITE (Ref # 49089D)	49089-0995-667	1
SHROUD-ENGINE,RH,P.C.WHITE (Ref # 49089J)	49089-0996-667	1
COWLING,UPP (Ref # 55028)	55028-0800	1
NUT,CAP,8MM (Ref # 92015)	92015-1151	2
NUT,WELL,5MM (Ref # 92015A)	92015-1757	12
COLLAR,L=7.4 (Ref # 92027)	92027-1848	2
RIVET (Ref # 92039)	92039-0709	8
BOLT,FLANGED,6X20 (Ref # 92150)	92150-1339	2
COLLAR (Ref # 92152)	92152-2770	2
BOLT,6X18 (Ref # 92153)	92153-0816	2

2025 KLR650 PARTS LIST

Cowling

ITEM NAME	PART NUMBER	QUANTITY
BOLT,SOCKET,5X20 (Ref # 92154)	92154-0216	10
BOLT,SOCKET,5X18 (Ref # 92154A)	92154-1945	4
BOLT,SOCKET,8X20 (Ref # 92154B)	92154-2314	2
BOLT,SOCKET,6X12 (Ref # 92154C)	92154-2355	2
DAMPER (Ref # 92160)	92160-1613	9
DAMPER,12X23 (Ref # 92161)	92161-1367	1
DAMPER,10X18X6.5 (Ref # 92161A)	92161-2091	2
DAMPER,10X20X6 (Ref # 92161B)	92161-2168	2
SCREW,5X12 (Ref # 92172)	92172-0821	6
SCREW,5X10 (Ref # 92172A)	92172-0864	3
SCREW,CROSS,4X8 (Ref # 92172B)	92172-1227	1
WASHER,NYLONE,5.3X11.5X0.5 (Ref # 92200)	92200-0006	10
WASHER,5.2X10X1 (Ref # 92200A)	92200-2286	4
NUT,5MM (Ref # 92210)	92210-0001	2
BOLT-SOCKET,5X12 (Ref # 120)	120CB0512	4
BOLT-FLANGED,6X12 (Ref # 130)	130BA0612	4
BOLT-FLANGED,8X40 (Ref # 130A)	130BA0840	2