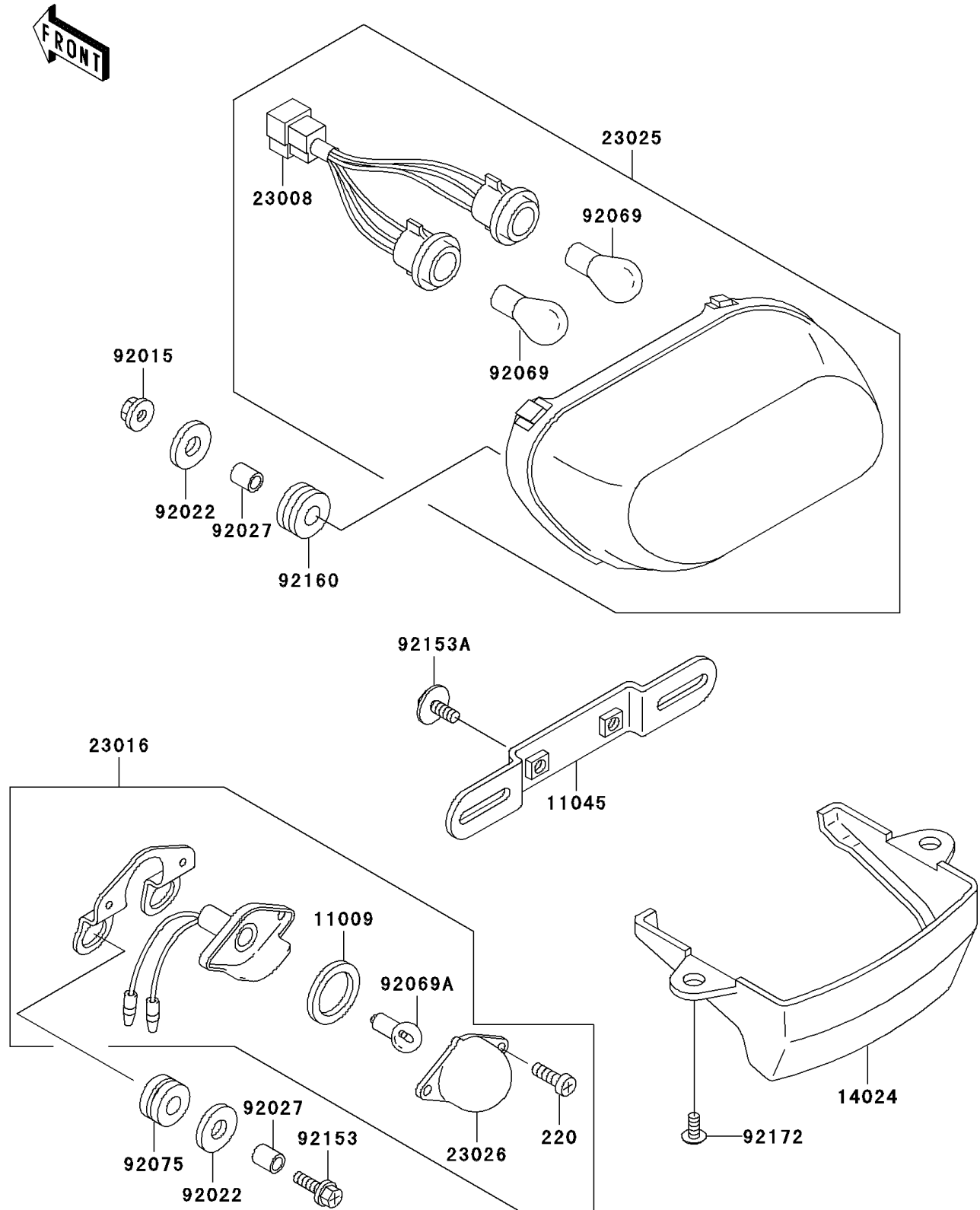


2003 ZZR600 PARTS DIAGRAM

Taillight(s)

F2720



2003 ZZR600 PARTS LIST

Taillight(s)

| ITEM NAME | PART NUMBER | QUANTITY |
|---|-------------|----------|
| SCREW-PAN-CROS (Ref # 220) | 220B0410 | 2 |
| GASKET,LICENSE PLATE LAMP (Ref # 11009) | 11009-1372 | 1 |
| BRACKET,LICENSE (Ref # 11045) | 11045-1387 | 1 |
| COVER,LICENSE LAMP (Ref # 14024) | 14024-1386 | 1 |
| SOCKET-ASSY,TAIL LAMP (Ref # 23008) | 23008-1364 | 1 |
| LAMP-ASSY,LICENSE PLATE (Ref # 23016) | 23016-1127 | 1 |
| LAMP-TAIL (Ref # 23025) | 23025-1308 | 1 |
| LENS,LAMP (Ref # 23026) | 23026-1054 | 1 |
| NUT,FLANGED,6MM (Ref # 92015) | 92015-1367 | 3 |
| WASHER,6.5X20X1.6 (Ref # 92022) | 92022-1557 | 5 |
| COLLAR,6.8X10X12 (Ref # 92027) | 92027-162 | 5 |
| BULB,12V 21/5W (Ref # 92069) | 92069-063 | 2 |
| BULB,12V 5W (Ref # 92069A) | 92069-1055 | 1 |
| DAMPER (Ref # 92075) | 92075-209 | 2 |
| BOLT,FLANGED,6X25 (Ref # 92153) | 92153-0514 | 2 |
| BOLT,6X16 (Ref # 92153A) | 92153-0684 | 2 |
| DAMPER (Ref # 92160) | 92160-1162 | 3 |
| SCREW,5X12 (Ref # 92172) | 92172-0008 | 2 |