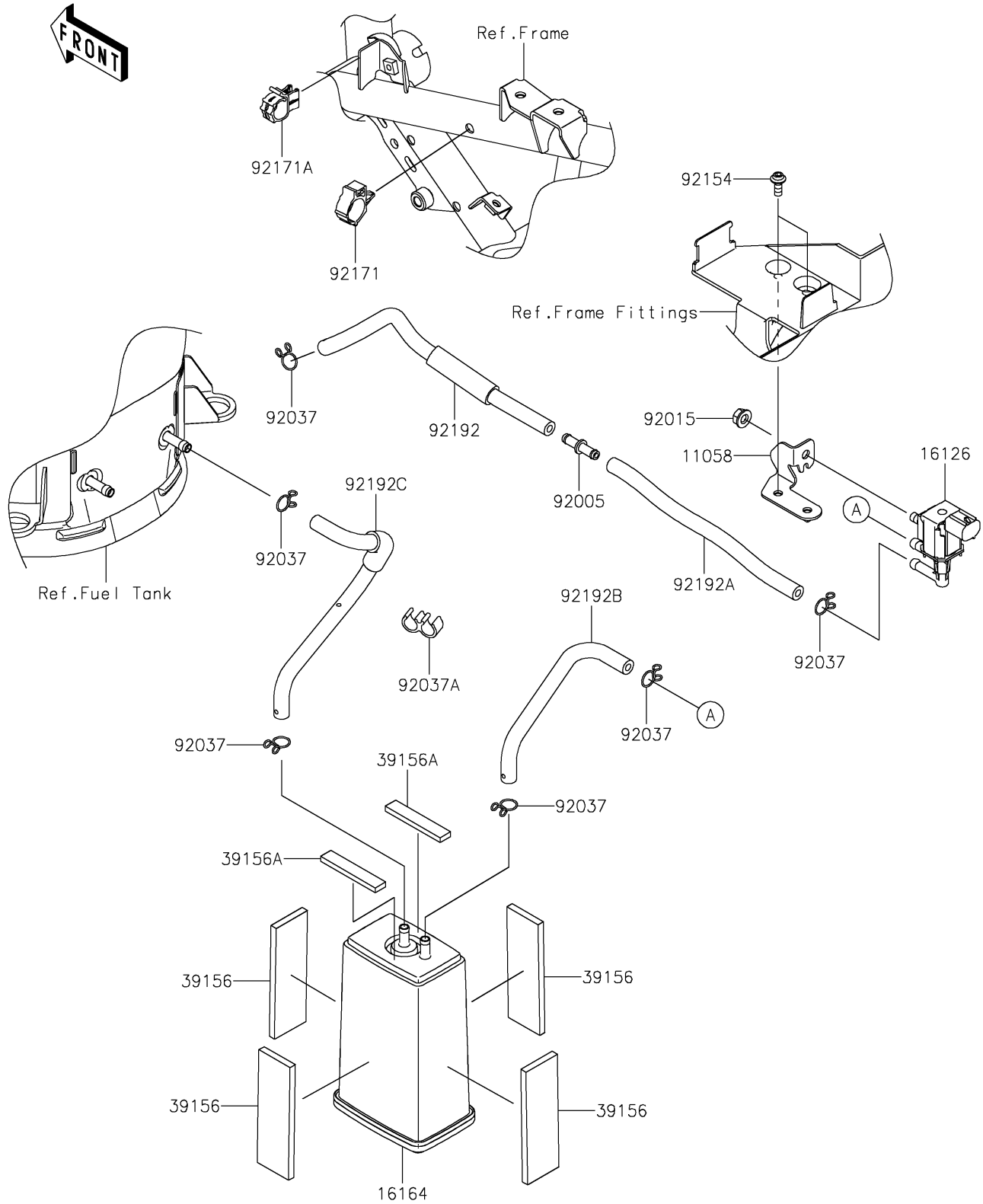


2025 Z900 ABS PARTS DIAGRAM

Fuel Evaporative System(CA)

E1650



2025 Z900 ABS PARTS LIST

Fuel Evaporative System(CA)

ITEM NAME	PART NUMBER	QUANTITY
BRACKET,PCV (Ref # 11058)	11058-1852	1
VALVE,PCV (Ref # 16126)	16126-0740	1
CANISTER (Ref # 16164)	16164-0012	1
PAD,93X30X5 (Ref # 39156)	39156-1858	4
PAD,10X52.5X4 (Ref # 39156A)	39156-2206	2
FITTING (Ref # 92005)	92005-0721	1
NUT,FLANGED,6MM (Ref # 92015)	92015-1367	1
CLAMP,TUBE (Ref # 92037)	92037-147	6
CLAMP,CORD (Ref # 92037A)	92037-1603	1
BOLT,SOCKET,5X12 (Ref # 92154)	92154-4289	2
CLAMP,BRAKE HOSE (Ref # 92171)	92171-0316	1
CLAMP,EDGE CLIP (Ref # 92171A)	92171-1722	1
TUBE,THB-PCV (Ref # 92192)	92192-2755	1
TUBE,THB-PCV (Ref # 92192A)	92192-2756	1
TUBE-PCV-CANISTER (Ref # 92192B)	92192-2757	1
TUBE,CANISTER-TANK (Ref # 92192C)	92192-2758	1