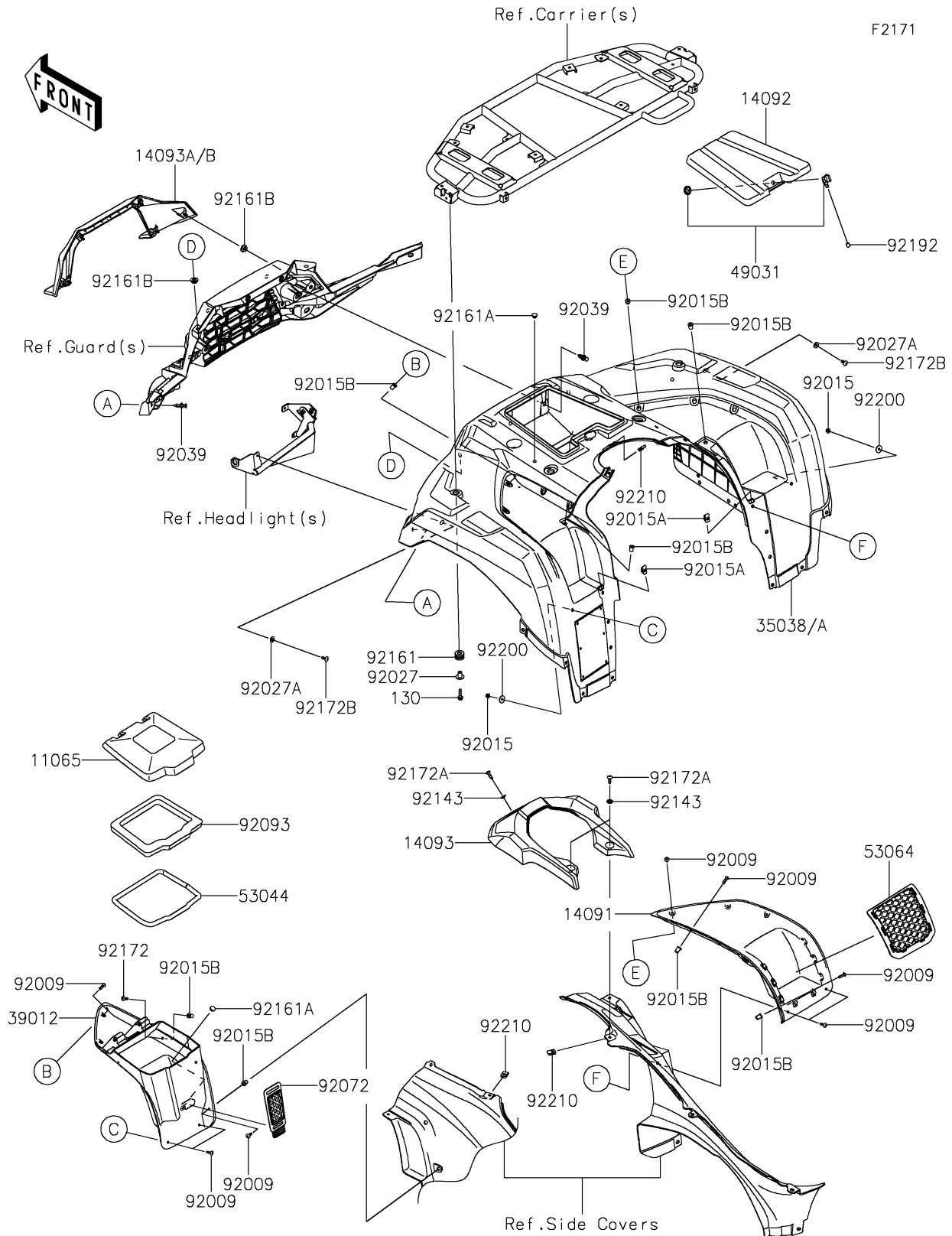


2025 BRUTE FORCE® 750 LE EPS PARTS DIAGRAM

Front Fender(s)



2025 BRUTE FORCE® 750 LE EPS PARTS LIST

Front Fender(s)

ITEM NAME	PART NUMBER	QUANTITY
CAP,STORAGE,F.BLACK (Ref # 11065)	11065-0194-6Z	1
COVER,POCKET,RH,F.BLACK (Ref # 14091)	14091-0136-6Z	1
COVER,STORAGE BOX (Ref # 14092)	14092-0180	1
COVER,TOP (Ref # 14093)	14093-1508	1
COVER,FR,M.E.TURQUISE (Ref # 14093A)	14093-1518-66T	1
COVER,FR,P.M.S.GREEN (Ref # 14093B)	14093-1518-72R	1
FENDER-FRONT,C.C.GRAY (Ref # 35038)	35038-0049-66Z	1
FENDER-FRONT,P.M.S.GREEN (Ref # 35038A)	35038-0049-72R	1
CASE-STORAGE,F.BLACK (Ref # 39012)	39012-0015-6Z	1
LATCH (Ref # 49031)	49031-0004	1
TRIM,L=700 (Ref # 53044)	53044-0037	1
NET-CARGO (Ref # 53064)	53064-0002	1
SCREW,5X18 (Ref # 92009)	92009-1655	14
NUT,FLANGED,5MM (Ref # 92015)	92015-1259	2
NUT,5MM (Ref # 92015A)	92015-1710	2
NUT,WELL,5MM (Ref # 92015B)	92015-1757	15
COLLAR,L=16.1 (Ref # 92027)	92027-1847	2
COLLAR (Ref # 92027A)	92027-4020	2
RIVET (Ref # 92039)	92039-0776	4
BAND,STORAGE (Ref # 92072)	92072-0095	1
SEAL,STORAGE CAP (Ref # 92093)	92093-0568	1
COLLAR (Ref # 92143)	92143-1087	3
DAMPER (Ref # 92161)	92161-0106	2
DAMPER (Ref # 92161A)	92161-0586	2
DAMPER (Ref # 92161B)	92161-1531	8
SCREW,5X18 (Ref # 92172)	92172-0428	3
SCREW,TAPPING,6X20 (Ref # 92172A)	92172-0488	3
SCREW,TAPPING,6X16 (Ref # 92172B)	92172-0739	2
TUBE,4.8X7.9X10 (Ref # 92192)	92192-2759	1

2025 BRUTE FORCE® 750 LE EPS PARTS LIST

Front Fender(s)

ITEM NAME	PART NUMBER	QUANTITY
WASHER,5.5X20X1.2 (Ref # 92200)	92200-0284	2
NUT,LEAF SPRING,6MM (Ref # 92210)	92210-0624	3
BOLT-FLANGED,6X25 (Ref # 130)	130BA0625	2