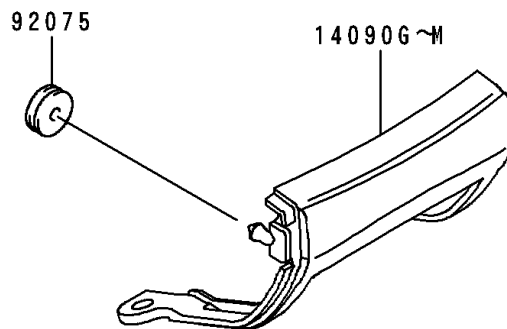
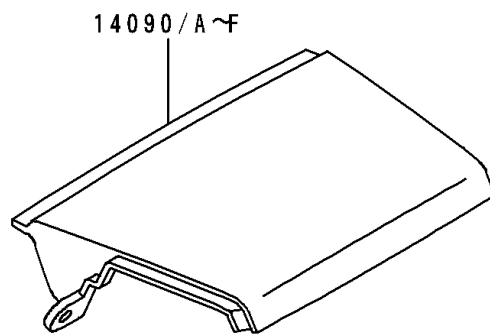
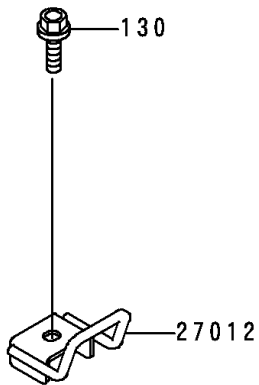
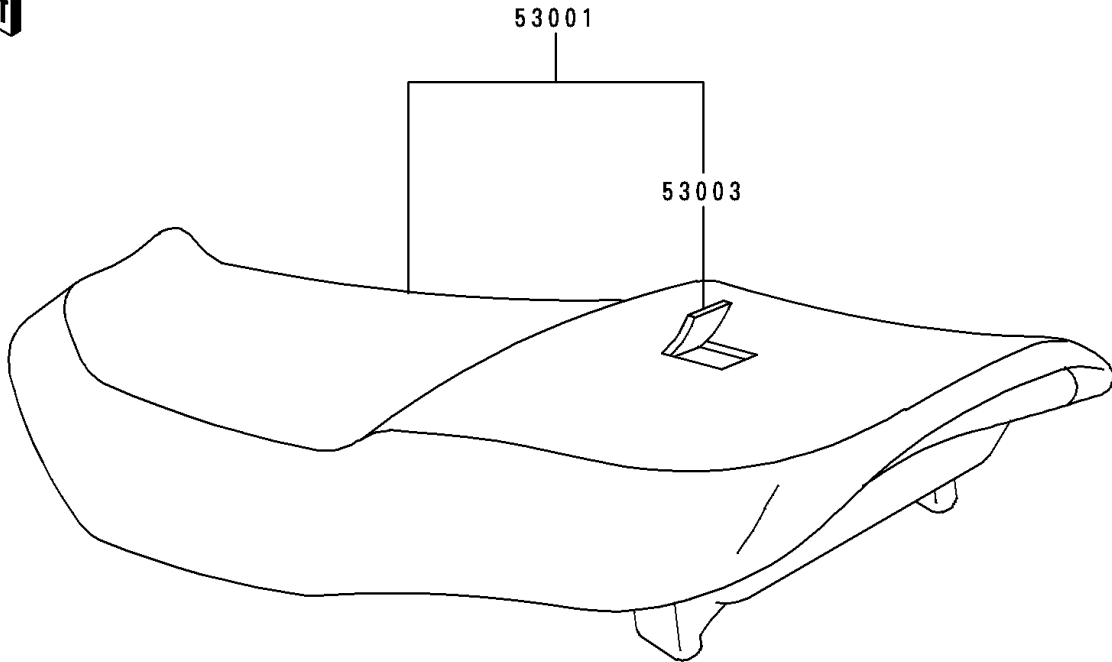


# 1997 Ninja<sup>®</sup> ZX<sup>™</sup>-6 PARTS DIAGRAM

Seat

F2510



## 1997 Ninja® ZX™ -6 PARTS LIST

### Seat

ITEM NAME	PART NUMBER	QUANTITY
BOLT-FLANGED (Ref # 130)	130J0612	2
HOOK,SEAT (Ref # 27012)	27012-1468	2
SEAT-ASSY,DUAL,BLACK (Ref # 53001)	53001-1689-MA	1
LEATHER,SEAT,BLACK (Ref # 53003)	53003-1270-MA	1
DAMPER (Ref # 92075)	92075-1629	2
COVER,TAIL,UPP,L.W.GREEN (Ref # 14090)	14090-1254-DS	1
COVER,TAIL,UPP,C.W.RED (Ref # 14090A)	14090-1254-H3	1
COVER,TAIL,UPP,C.W.RED (Ref # 14090C)	14090-1254-TF	1
COVER,TAIL,UPP,L.W.GREEN (Ref # 14090F)	14090-1254-24	1
COVER,TAIL,LWR,L.W.GREEN (Ref # 14090G)	14090-1255-DS	1
COVER,TAIL,LWR,C.W.RED (Ref # 14090H)	14090-1255-H3	1
COVER,TAIL,LWR,C.W.RED (Ref # 14090J)	14090-1255-TF	1
COVER,TAIL,LWR,L.W.GREEN (Ref # 14090M)	14090-1255-24	1