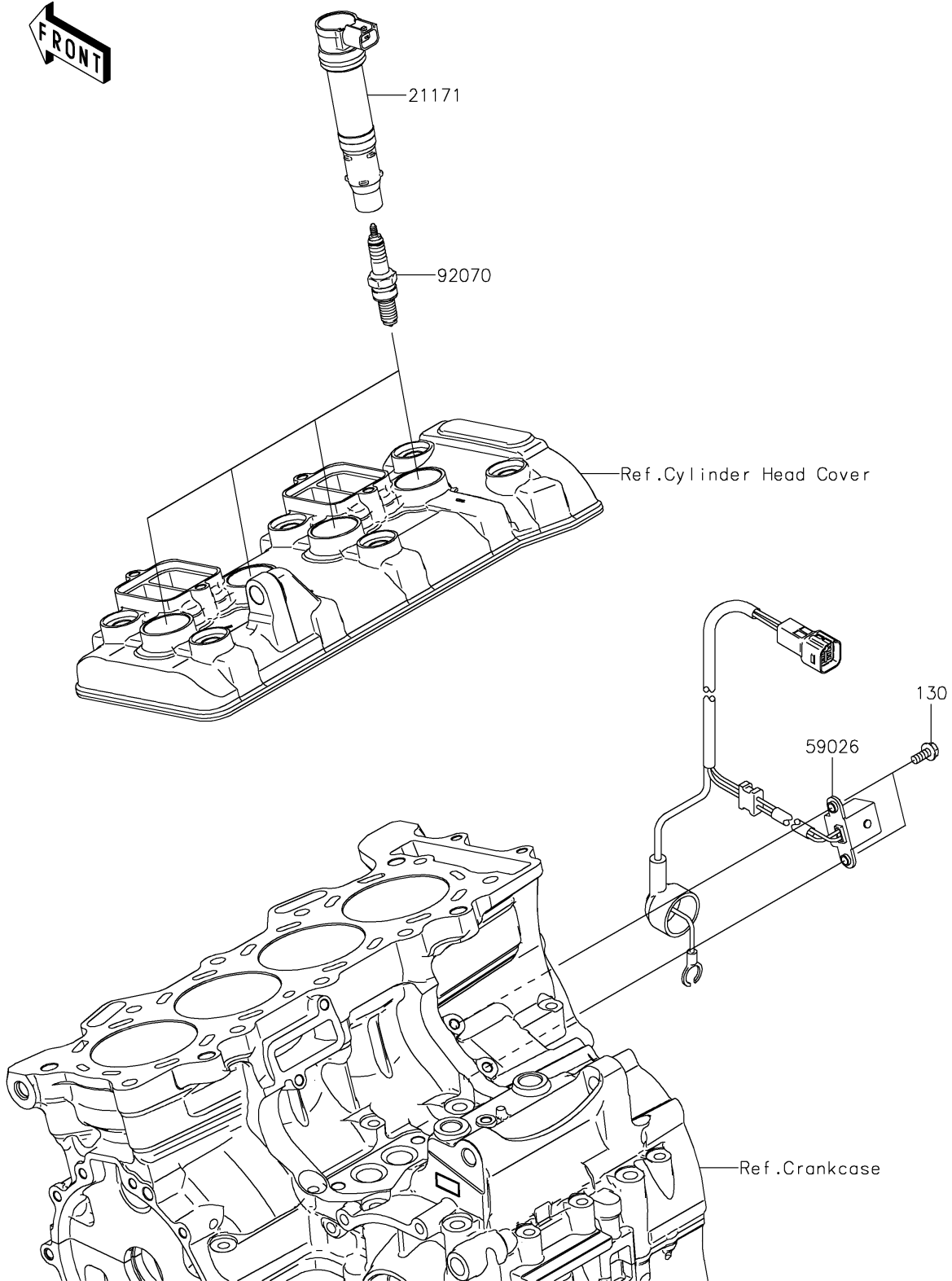


2024 NINJA® ZX™ -6R 40th ANNIVERSARY EDITION ABS PARTS DIAGRAM

E1830



2024 NINJA® ZX™-6R 40th ANNIVERSARY EDITION ABS PARTS LIST

Ignition System

ITEM NAME	PART NUMBER	QUANTITY
COIL-ASSY-IGNITION (Ref # 21171)	21171-0757	4
COIL-PULSING (Ref # 59026)	59026-0560	1
PLUG-SPARK,CR9E(NGK) (Ref # 92070)	92070-1266	4
BOLT-FLANGED,5X12 (Ref # 130)	130BA0512	2