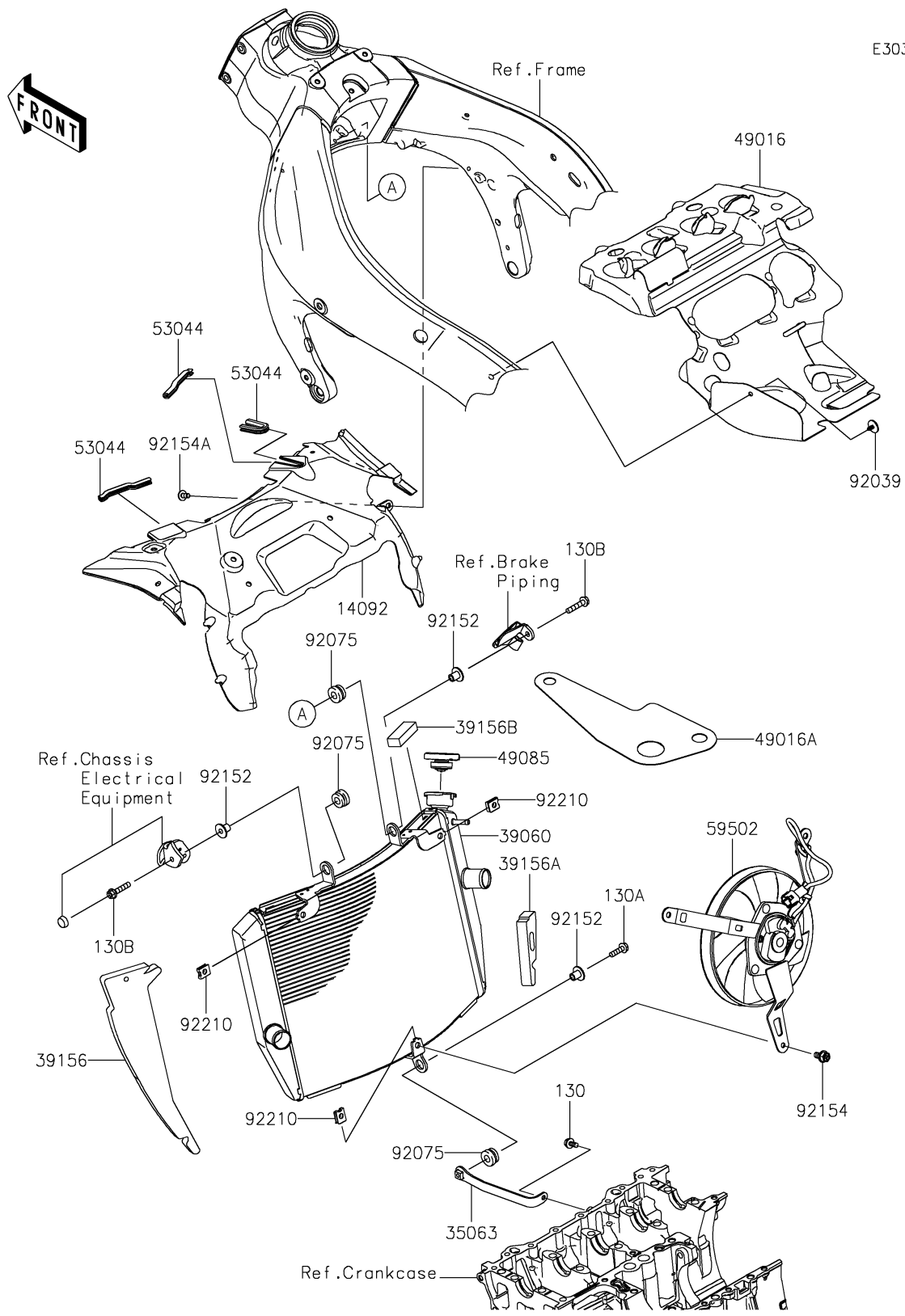


# 2025 Ninja ZX-6R ABS PARTS DIAGRAM

Radiator

E3032



## 2025 Ninja ZX-6R ABS PARTS LIST

### Radiator

| ITEM NAME                                 | PART NUMBER | QUANTITY |
|---|-------------|----------|
| COVER,RADIATOR UPP (Ref # 14092)          | 14092-1089  | 1        |
| STAY,RADIATOR (Ref # 35063)               | 35063-1591  | 1        |
| RADIATOR (Ref # 39060)                    | 39060-0754  | 1        |
| PAD,RADIATOR LH (Ref # 39156)             | 39156-2847  | 1        |
| PAD,RADIATOR RH (Ref # 39156A)            | 39156-2848  | 1        |
| PAD,RADIATOR UPP (Ref # 39156B)           | 39156-2874  | 1        |
| COVER-SEAL,ENGINE RR (Ref # 49016)        | 49016-0604  | 1        |
| COVER-SEAL,RESERVOIR UPPER (Ref # 49016A) | 49016-0706  | 1        |
| CAP-ASSY-PRESSURE (Ref # 49085)           | 49085-0006  | 1        |
| TRIM (Ref # 53044)                        | 53044-0018  | 3        |
| FAN-ASSY (Ref # 59502)                    | 59502-0642  | 1        |
| RIVET (Ref # 92039)                       | 92039-0065  | 1        |
| DAMPER,RUBBER (Ref # 92075)               | 92075-1123  | 3        |
| COLLAR (Ref # 92152)                      | 92152-0666  | 3        |
| BOLT (Ref # 92154)                        | 92154-1429  | 3        |
| BOLT,6X12 (Ref # 92154A)                  | 92154-1892  | 1        |
| NUT (Ref # 92210)                         | 92210-1323  | 3        |
| BOLT-FLANGED,6X14 (Ref # 130)             | 130CA0614   | 1        |
| BOLT-FLANGED,6X25 (Ref # 130A)            | 130CA0625   | 1        |
| BOLT-FLANGED,6X30 (Ref # 130B)            | 130CA0630   | 2        |