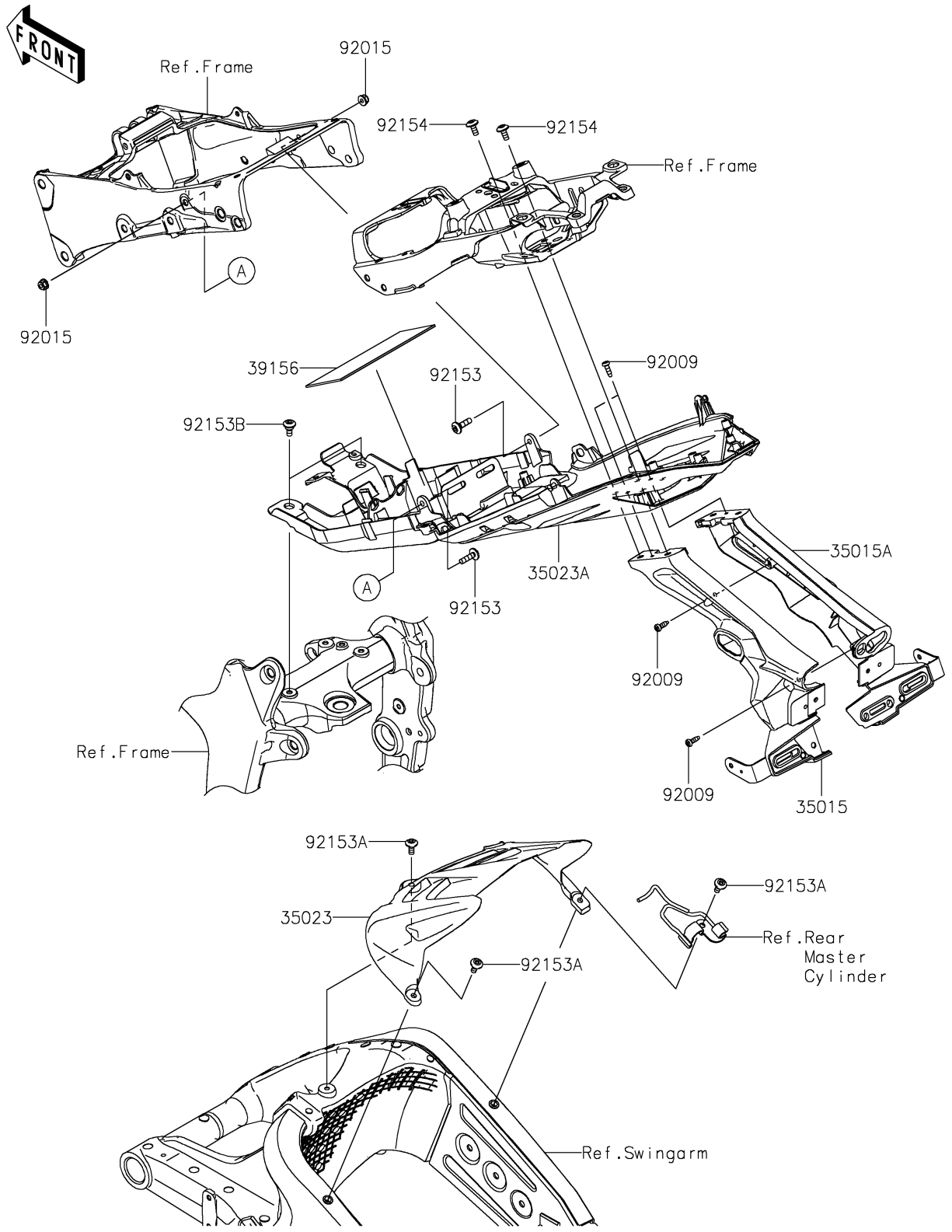


# 2025 Ninja ZX-6R ABS PARTS DIAGRAM

Rear Fender(s)

F2172



## 2025 Ninja ZX-6R ABS PARTS LIST

### Rear Fender(s)

| ITEM NAME                          | PART NUMBER | QUANTITY |
|------------------------------------|-------------|----------|
| FLAP-COMP,LH (Ref # 35015)         | 35015-0040  | 1        |
| FLAP-COMP,RH (Ref # 35015A)        | 35015-0041  | 1        |
| FENDER-REAR,INNER (Ref # 35023)    | 35023-0171  | 1        |
| FENDER-REAR (Ref # 35023A)         | 35023-0446  | 1        |
| PAD (Ref # 39156)                  | 39156-0530  | 1        |
| SCREW,TAPPING,5X16 (Ref # 92009)   | 92009-1984  | 4        |
| NUT,LOCK,FLANGED,6MM (Ref # 92015) | 92015-1603  | 2        |
| BOLT,SOCKET,6X22 (Ref # 92153)     | 92153-1356  | 2        |
| BOLT,SOCKET,6X18 (Ref # 92153A)    | 92153-1675  | 3        |
| BOLT,SOCKET,6MM (Ref # 92153B)     | 92153-1956  | 2        |
| BOLT,SOCKET,6X14 (Ref # 92154)     | 92154-0745  | 4        |