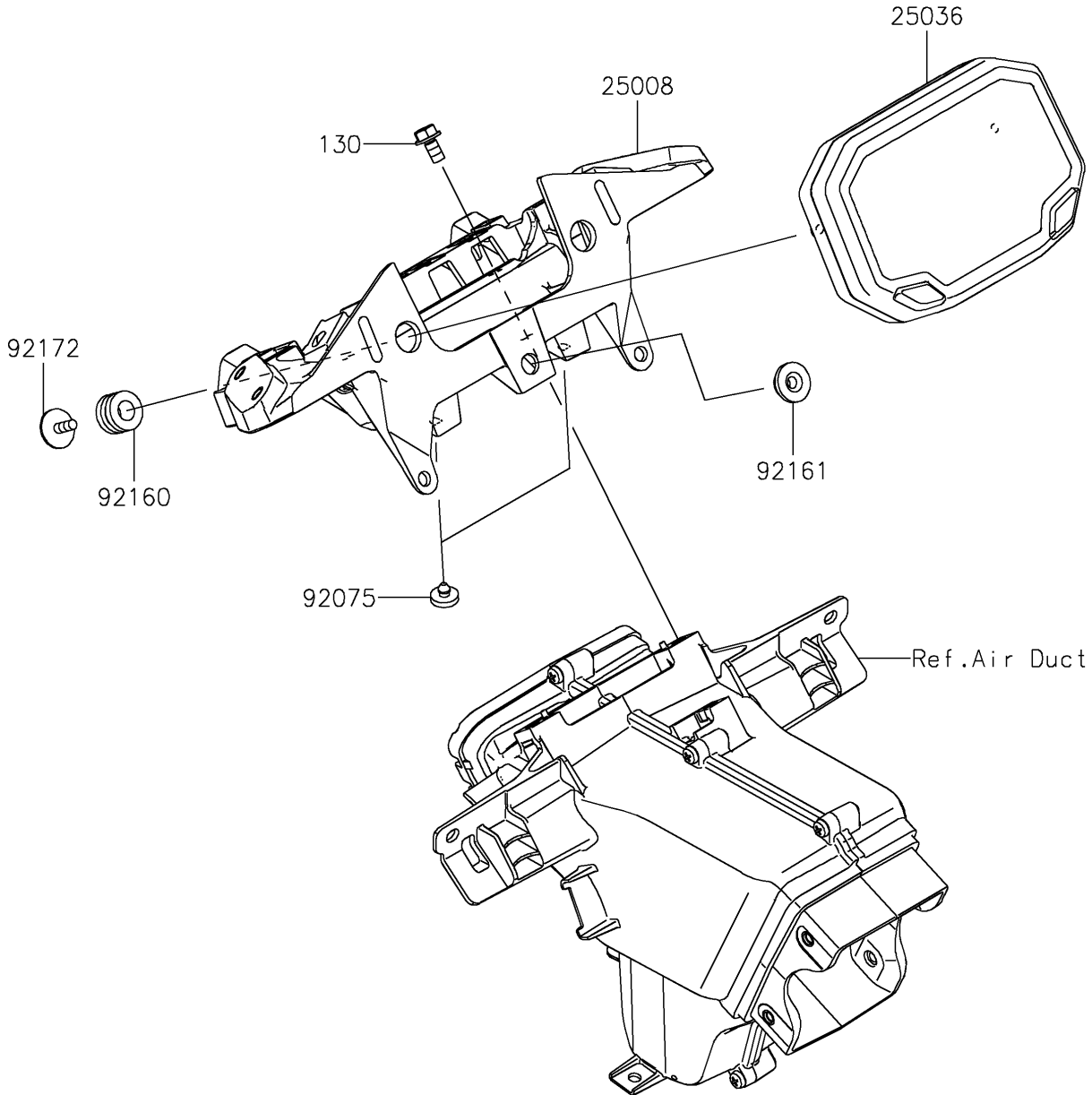


# 2024 NINJA® ZX™ -6R ABS PARTS DIAGRAM

Meter(s)

F2530



## 2024 NINJA® ZX™-6R ABS PARTS LIST

Meter(s)

| ITEM NAME                            | PART NUMBER | QUANTITY |
|--------------------------------------|-------------|----------|
| BRACKET-METER (Ref # 25008)          | 25008-0311  | 1        |
| METER-ASSY,TFT DISPLAY (Ref # 25036) | 25036-0069  | 1        |
| DAMPER,BOOST SENSOR (Ref # 92075)    | 92075-2113  | 2        |
| DAMPER,10X20X12 (Ref # 92160)        | 92160-1167  | 2        |
| DAMPER (Ref # 92161)                 | 92161-1531  | 1        |
| SCREW,CROSS,5X14 (Ref # 92172)       | 92172-1226  | 2        |
| BOLT-FLANGED,6X12 (Ref # 130)        | 130BA0612   | 3        |